

Above Ground Pump
PAG100, PAG100T
PAG150, PAG150T
Owner's Manual
ENGLISH | FRANÇAIS | ESPAÑOL

⚠ WARNING

FOR YOUR SAFETY - This product must be installed and serviced by a contractor who is licensed and qualified in pool equipment by the jurisdiction in which the product will be installed where such state/provincial or local requirements exist. The maintainer must be a professional with sufficient experience in pool equipment installation and maintenance so that all of the instructions in this manual can be followed exactly. Before installing this product, read and follow all warning notices and instructions that accompany this product. Failure to follow warning notices and instructions may result in property damage, personal injury, or death. Improper installation and/or operation may void the warranty.



Improper installation and/or operation can create unwanted electrical hazard which can cause serious injury, property damage, or death.

DO NOT MODIFY THIS EQUIPMENT

ATTENTION INSTALLER - This manual contains important information about the installation, operation and safe use of this product. This information should be given to the owner/operator of this equipment.

Table of Contents

Section 1. Important Safety Instructions.....	3
1.1 Pool Pump Suction Entrapment Prevention Guidelines	5
Section 2. Installation.....	6
2.1 Installation Location	6
2.2 General Connections	6
2.3 Pump Plumbing	6
2.4 Electrical Data	6
2.5 Bonding and Grounding	7
Section 3. Pump Start Up.....	7
3.1 Priming	7
3.2 Startup.....	7
3.3 Single-Speed Pumps.....	7
Section 4. Winterizing	8
4.1 Water Chemistry	8
4.2 Pump Maintenance	8
Section 5. Service & Repair Parts	8
Section 6. Troubleshooting	9
Section 7. Technical Data	9

EQUIPMENT INFORMATION RECORD

DATE OF INSTALLATION _____

INSTALLER INFORMATION _____

INITIAL PRESSURE GAUGE READING (WITH CLEAN FILTER) _____

PUMP MODEL _____ HORSEPOWER _____

NOTES: _____

Section 1. IMPORTANT SAFETY INSTRUCTIONS

READ AND FOLLOW ALL INSTRUCTIONS

All electrical work must be performed by a licensed electrician or qualified pool service professional and conform to all national, state, and local codes. When installing and using this electrical equipment, basic safety precautions should always be followed, including the following:

WARNING

RISK OF SUCTION ENTRAPMENT HAZARD, WHICH, IF NOT AVOIDED, CAN RESULT IN SERIOUS INJURY OR DEATH. Do not block pump suction, as this can cause severe injury or death. Do not use this pump for wading pools, shallow pools, or spas containing bottom drains. Suction outlet (drain) assemblies and their covers must be certified to the latest published edition of ANSI®/ASME® A112.19.8, or its successor standard, ANSI/APSP-16.

WARNING

To reduce the risk of injury, do not permit children to use this product. All components in the system, such as pumps, filters, and heaters, etc., shall be positioned so as to prevent their being used as a means of access to the pool by young children.

WARNING

To reduce the risk of property damage or injury, do not attempt to change the backwash (multi-port, slide, or full flow) valve position with the pump running.

WARNING

Polaris pumps are powered by a high voltage electric motor and must be installed by a licensed or certified electrician or a qualified swimming pool service technician.

WARNING

RISK OF ELECTRIC SHOCK, FIRE, PERSONAL INJURY, OR DEATH. Connect only to a grounding type receptacle that is protected by a ground-fault circuit-interrupter (GFCI) (Canada: CLASS A). Contact a qualified electrician if you cannot verify that the circuit is protected by a GFCI. Make sure such a GFCI should be provided by the installer and should be tested on a routine basis. To test the GFCI, push the test button. The GFCI should interrupt power. Push the reset button. Power should be restored. If the GFCI fails to operate in this manner, the GFCI is defective. If the GFCI interrupts power to the pump without the test button being pushed, a ground current is flowing, indicating the possibility of electrical shock. Do not use the pump. Disconnect the pump and have the problem corrected by a qualified service representative before using.

Due to the potential risk of fire, electric shock, or injuries to persons, Polaris pumps must be installed in accordance with the National Electrical Code® (NEC®), Canadian Electrical Code (CEC), all local electrical and safety codes, and the Occupational Safety and Health Act (OSHA®). Copies of the NEC may be ordered from the National Fire Protection Association® (NFPA®) online at www.nfpa.org or call 617-770-3000, or contact your local government inspection agency.

WARNING

Incorrectly installed equipment may fail, causing severe injury or property damage. **DO NOT MODIFY THIS EQUIPMENT.**

WARNING

To reduce the risk of electric shock, replace damaged cord immediately. If replacement of the plug or cord is needed, use only identical replacement parts. To reduce the risk of electric shock, do not use extension cord to connect unit to electric supply; provide a properly located outlet.

WARNING

- Do not connect the system to an unregulated city water system or other external source of pressurized water producing pressures greater than 35 PSI.
- Trapped air in system can cause the filter lid to be blown off, which can result in death, serious personal injury, or property damage. Be sure all air is out of the system before operating.

WARNING

To minimize the risk of severe injury or death the filter and/or pump should not be subjected to the piping system pressurization test.

Local codes may require the pool piping system to be subjected to a pressure test. These requirements are generally not intended to apply to the pool equipment such as filters or pumps.

Polaris pool equipment is pressure tested at the factory.

However, if the WARNING cannot be followed and pressure testing of the piping system must include the filter and/or pump, **BE SURE TO COMPLY WITH THE FOLLOWING SAFETY INSTRUCTIONS:**

- Check all clamps, bolts, lids, lock rings and system accessories to ensure they are properly installed and secured before testing.
- **RELEASE ALL AIR** in the system before testing.
- Water pressure for test must **NOT EXCEED 35 PSI**.
- Water temperature for test must **NOT EXCEED 100°F (38°C)**.
- Limit test to 24 hours. After test, visually check system to be sure it is ready for operation.

NOTICE: These parameters apply to Polaris equipment only. For non-Polaris equipment, consult the equipment manufacturer.

WARNING

Chemical spills and fumes can weaken pool/spa equipment. Corrosion can cause filters and other equipment to fail, resulting in severe injury or property damage. Do not store pool chemicals near your equipment.

CAUTION

Do not start pump dry! Running the pump dry for any length of time will cause severe damage and may void the warranty.

CAUTION

For USA only: for use with permanently installed above ground pools and may also be used with hot tubs and spas if so marked. Do not use with storable pools. A permanently installed pool is constructed in or on the ground or in a building such that it cannot be readily disassembled for storage. A storable pool is constructed so that it may be readily disassembled for storage and reassembled to its original integrity.

CAUTION

Do not install within an outdoor enclosure or beneath the skirt of a hot tub or portable spa. The pump requires adequate ventilation to maintain air temperature at less than the maximum ambient temperature rating listed on the motor rating plate.

CAUTION

In order to avoid premature failure or damage to the equipment, protect the equipment from direct water exposure from sprinklers, water runoff from rooftops and drainage, etc. Failure to comply may cause equipment failure may void the warranty.

CAUTION

To reduce the risk of electric shock the pool must be installed no closer than 6 feet (1.8 m) from any electrical outlet. Do not place portable appliances closer than 6 feet (1.8m) from the pool. In Canada, the minimum distance maintained from the edge of the pool and/or spa as noted above must be 3 meters (10 feet), as required by the Canadian Electrical Code (CEC, CSA C22.1). Swimming pool pumps located within 3 meters (10 feet) of the pool walls must be specifically approved for this purpose. Do not bury cord. Locate cord to minimize abuse from lawn mowers, hedge trimmers, and other equipment.

SAVE THESE INSTRUCTIONS

1.1 Pool Pump Suction Entrapment Prevention Guidelines



⚠ WARNING

SUCTION HAZARD. Can cause serious injury or death. Do not use this pump for wading pools, shallow pools or spas containing bottom drains, unless the pump is connected to at least two (2) functioning suction outlets.

⚠ WARNING

Pump suction is hazardous and can trap and drown or disembowel bathers. Do not use or operate swimming pools, spa, or hot tubs if a suction outlet cover is missing, broken, or loose. The following guidelines provide information for pump installation that minimizes the risk of injury to users of pools, spas, and hot tubs:

Entrapment Protection - The pump suction system must provide protection against the hazards of suction entrapment.

Suction Outlet Covers - All suction outlets must have correctly installed, screw-fastened covers in place. All suction outlet (drain) covers must be maintained. Drain covers must be listed/certified to the latest version of ANSI®/ASME® A112.19.8 or its successor standard, ANSI/APSP-16. They must be replaced if cracked, broken, or missing.

Number of Suction Outlets Per Pump - When outlets are small enough to be blocked by a person, provide at least two (2) hydraulically-balanced main drains, with covers, as suction outlets for each circulating pump suction line. The centers of the main drains (suction outlets) on any one (1) suction line must be at least three (3) feet apart, center to center. See Figure 1.

The system **must** be built to include at least two (2) suction outlets (drains) connected to the pump whenever the pump is running. However, if two (2) main drains run into a single suction line, the single suction line may be equipped with a valve that will shut off both main drains from the pump. The system shall be constructed such that it shall not allow for separate or independent shutoff or isolation of each drain. See Figure 1.

More than one (1) pump can be connected to a single suction line as long as the requirements above are met.

Water Velocity - The maximum water velocity through the suction fitting or cover for any suction outlet must be 1.5 feet per second unless the outlet complies with the latest version of ANSI/ASME A112.19.8 or its successor standard, ANSI/APSP-16, the standard for Suction Fittings For Use in Swimming Pools, Wading Pools, Spas, and Hot Tubs. In any case, do not exceed the suction fitting's maximum designed flow rate.

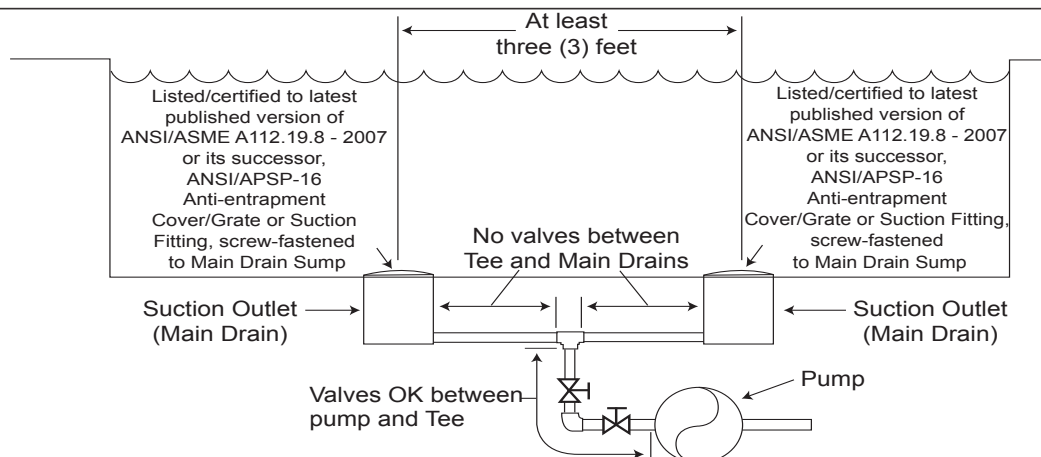
If 100% of the pump's flow comes from the main drain system, the maximum water velocity in the pump suction hydraulic system must be six (6) feet per second or less, even if one (1) main drain (suction outlet) is completely blocked. The flow through the remaining main drain(s) must comply with the latest version of ANSI/ASME A112.19.8 or its successor standard, ANSI/APSP-16, the standard for Suction Fittings For Use in Swimming Pools, Wading Pools, Spas, and Hot Tubs.

Testing and Certification - Suction outlet covers must have been tested by a nationally recognized testing laboratory and found to comply with the latest version of ANSI/ASME A112.19.8 or its successor standard, ANSI/APSP-16, the standard for Suction Fittings For Use in Swimming Pools, Wading Pools, Spas, and Hot Tubs.

Fittings - Fittings restrict flow; for best efficiency use fewest possible fittings (but at least two (2) suction outlets).

Avoid fittings which could cause an air trap.

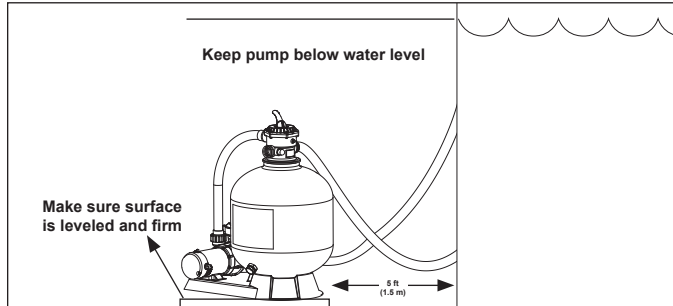
Pool cleaner suction fittings must conform to applicable International Association of Plumbing and Mechanical Officials (IAPMO®) standards.



Section 2. Installation

2.1 Installation Location

The pump should be installed on a firm, level base or pad. When using factory supplied base ensure installation is level and vibration-free. Pump must be installed below the water line.



Although the pump is designed for outdoor use it is recommended that the installation consider the following:

- Drainage – away from pump.
- Run off from eaves and sprinklers.
- Ventilation of pump motor.
- Access for future servicing and winterizing.
- Protection from the elements.
- Sun exposure.

Locate the pump as close to the pool as possible to reduce friction and increase efficiency. However, the pump must be a minimum of 6 ft (1.8 m) from the edge of the pool, or be separated by a permanent barrier. Position the pump and all components of the filtration system so they can NOT be used as a means of access to the pool by young children. In Canada, the minimum distance maintained from the edge of the pool and/or spa as noted above must be 3 meters (10 feet), as required by the Canadian Electrical Code (CEC, CSA C22.1). Swimming pool pumps located within 3 meters (10 feet) of the pool walls must be specifically approved for this purpose.

⚠ WARNING

To Reduce the Risk of Fire, install pool equipment in an area where leaves or other debris will not collect on or around the equipment. Keep surrounding area clear of all debris such as paper, leaves, pine-needles and other combustible materials.

⚠ CAUTION

In order to avoid premature failure or damage to the pump motor, protect the pump from direct water exposure from sprinklers, water runoff from rooftops and drainage, etc. Failure to comply may cause pump failure, and may also void warranty.

2.2 General Connections

2.2.1 Solvent Weld Connections

Rigid or flexible PVC pipe can be used. Pipe ends should be clean and free of any flash cause by the cutting operation. Be sure that the proper adhesive is used on the type of pipe specified.

NOTE: A primer will assure that adhesive joints are superior. Suregard P-3000 has a purple tracer to qualify in areas where codes specify a primer must be used.

⚠ CAUTION

We recommend that you consider climatic conditions when applying adhesives. Certain atmospheric situations, such as high moisture content, make adhesive action of certain glues less effective. Check the manufacturer's instructions.

2.2.2 Threaded Connections

Use only Teflon tape or equivalent on threaded plumbing connections. Other pipe compounds may damage threads. We do not recommend the use of silicone or petroleum based compounds.

DO NOT OVERTIGHTEN – HAND TIGHTEN PLUS ½ TURN IS SUFFICIENT.

2.3 Pump Plumbing

Suction pipe should be as large or larger than the discharge pipe. Avoid using a suction pipe that is smaller than the pump connection.

1. Keep the piping as straight and short as possible, and of suitable size.
2. Avoid connecting an elbow directly into the pump inlet (use a length of straight pipe to allow a proper entry for the water).
3. Support the pipe independently so that it places no strain on the pump.
4. It is recommended that valves are installed on the suction and outlet lines to prevent water from draining when servicing the pump. Never run the pump with valves closed.

2.4 Electrical Data

- Refer to information on motor nameplate for electrical service data.

⚠ CAUTION

Failure to provide data plate voltage (+/- 10%) during operation will cause the motor to overheat and may void the warranty.

- All motors should have fused disconnect switch or circuit breaker.
- Be sure wire size is sufficient for pump HP and distance from power source.

- Wiring should be done in accordance with applicable codes by a licensed electrician.
- Connect only to a GFCI (Canada: CLASS A) protected receptacle.
- DO NOT USE EXTENSION CORD.

⚠ WARNING

Always disconnect the power source before working on a motor or its connected load.

⚠ WARNING

ELECTRICAL SHOCK HAZARD. Due to the potential risk of fire, electric shock, or injuries to persons, Polaris® Pumps and any auxiliary loads must be installed in accordance with the National Electrical Code® (NEC®), all local electrical and safety codes, and the Occupational Safety and Health Act (OSHA). Copies of the NEC may be ordered from the National Protection Association, 1 Batterymarch Park, Quincy, MA 02169, or from your local government inspection agency.

In Canada, Polaris Pumps must be installed in accordance with the Canadian Electrical Code (CEC).

2.5 Bonding and Grounding

In addition to being properly grounded in accordance with the requirements of the National Electrical Code (NEC), or in Canada the Canadian Electrical Code (CEC), the pump motor must be bonded to all metal parts of the swimming pool, spa or hot tub structure and to all electrical components and equipment associated with the pool/spa water circulation system. The bonding must be accomplished by using a solid copper conductor, No. 8 AWG or larger. In Canada No. 6 AWG or larger must be used. Bond the motor using the external bonding lug provided on the motor frame. See Figure 8.

National Electrical Code® (NEC®) requires bonding of the Pool Water. Where none of the bonded pool equipment, structures, or parts are in direct connection with the pool water; the pool water shall be in direct contact with an approved corrosion-resistant conductive surface that exposes not less than 5800 mm² (9 in²) of the surface area to the pool water at all times. The conductive surface shall be located where it is not exposed to physical damage or dislodgement during usual pool activities, and it shall be bonded in accordance with the bonding requirements of NEC Article 680. Refer to locally enforced codes for any additional bonding requirements.

Section 3. Pump Start Up

3.1 Priming

STOP PUMP and CLOSE suction and outlet valves.

1. Release all pressure from pump and piping system.
2. Fill strainer housing with water. NEVER operate the pump without water. Running the pump "dry" for any length of time can cause severe damage to both the pump, seals, and motor, and may void the warranty.
3. Inspect, clean, and only use silicone lubricant to prevent damaging the O-Ring.
4. Replace strainer cover and hand-tight only.
5. Open all valves before starting pump.
6. Release all air from the filter and piping system. See filters operating instructions.
7. With suction and outlet valves open and pump located below the pool waterline, turn on pump and allow the pump to prime.

If pump does not prime within ten minutes, stop motor and determine cause. Ensure suction and discharge valves are open. See troubleshooting guide for further instruction.

3.2 Startup

- After pump has been primed, energize motor and open all suction and discharge line valves.

NOTE: It may take some time for pump to remove air from suction lines.

- If no flow is observed in five minutes, stop the motor and re-prime. If the pump fails to operate, check for air leaks. (Refer to Troubleshooting section.)
- After about ten minutes of operation, check the return fittings for air bubbles. A continuous flow of air indicates leaks in suction line. Locate and correct any leaks immediately.
- Keep the gate valve in the suction line fully open during operation. Should it be necessary to control the output, use a valve in the return line.

⚠ CAUTION

Do not retighten strainer locking ring during operation. Do not operate pump with closed suction or discharge valves.

3.3 Single-Speed Pumps

It is strongly recommended to install an on/off switch or timer. Without one the pump will run continuously. The pump should not be unplugged while under power as safety hazards such as sparks can occur.

⚠ WARNING

Make sure that the control switch, time clock, or control system is installed in an accessible location, so that in the event of an equipment failure or a loose plumbing fitting, the equipment can be turned off. This location must not be in the same area as the pool pump, filter, and other equipment.

Section 4. Winterizing**⚠ CAUTION**

The pump *must* be protected when freezing temperatures are expected. Allowing the pump to freeze will cause severe damage and may void the warranty.

⚠ CAUTION

Do not use antifreeze solutions in the pool, spa, or hot tub systems! Antifreeze is highly toxic and may damage the circulation system. The only exception to this is Propylene Glycol. For more information, see your local pool/spa supply store or contact a qualified swimming pool service company.

⚠ WARNING

RISK OF ELECTRIC SHOCK. Turn OFF power to pump motor by unplugging the pump.

1. Drain all water from the pump, system equipment, and piping.
2. Keep the motor covered and dry. Do not cover the pump with plastic, because this will create condensation that will damage the pump.

NOTE After disconnecting the power and draining all water from the pump, it is recommended that the pump is removed from the plumbing and stored indoors.

3. When the system is reopened for operation, have a qualified technician or electrician make sure all piping, valves, wiring and equipment are in accordance with the manufacturer's recommendations. Pay close attention to the filter and electrical connections.
4. The pump must be primed prior to starting. Refer to Section 3.2, Startup.

4.1 Water Chemistry

- A proper and consistent use of chemicals is necessary to maintain clean, sanitary water, to prevent the spread of germ infection and control the growth of algae which can spoil the appearance and enjoyment of your pool or spa.

- Chlorine is the most commonly used chemical to provide clean, sanitary water. Either dry or liquid chlorine (calcium or sodium hypochlorite) can be used which should be added daily as it is dissipated by dirt and germs as well as by the sun and wind.
- It is important that the correct level of acidity or alkalinity of the pool water be maintained. A desirable range is 7.2 – 7.4, with the pH of your pool at pH 7.0 being neutral. Readings above 7.0 are alkaline and below are acidic.

4.2 Pump Maintenance**⚠ WARNING**

To avoid the risk of property damage, severe personal injury, and/or death, remove power to the pump by unplugging the pump motor before servicing the pump.

- All maintenance must be performed with breaker off.
- Motors are self-lubricating – no lubrication required.
- Clean strainer basket.
- Visually inspect motor for blockage of air vents on motor shell. Remove any debris.
- Shaft seals may become worn and must be replaced if leakage is observed.

4.2.1 Strainer Basket Maintenance

To clean the pump:

1. Switch power off.
2. Close valves in suction and return line.
3. Remove strainer locking ring counterclockwise and remove the cover from strainer basket.
4. Lift out strainer basket.
5. Clean and replace the basket. Take care to seat basket properly.
6. Clean the O-Ring and only use silicone lubricant to prevent damaging the O-Ring.
7. Clean O-Ring seats on cover and strainer.
8. Refit cover and strainer – hand tighten only – and open valves.
9. Put pump back into operation.

⚠ CAUTION

Do not retighten strainer during operation.

Section 5. Service & Repair Parts

Order all repair parts through your dealer. Give the following information when ordering repair parts:

- Unit nameplate data.
- Description of part.

Section 6. Troubleshooting

If the recommendations in this section do not solve your particular problem(s), please contact your local dealer for service.

Symptom	Possible Cause/Solution
Motor does not start.	<ol style="list-style-type: none"> 1. Disconnect switch or circuit breaker in OFF position 2. Fuses blown or thermal overload open. Locked motor shaft 3. Motor windings burned out 4. Defective starting switch inside single-phase motor 5. Disconnected or defective wiring 6. Low voltage
Motor does not reach full speed.	<ol style="list-style-type: none"> 1. Low voltage 2. Motor windings connected for wrong voltage on dual voltage model
Motor overheats (protect trips).	<ol style="list-style-type: none"> 1. Low voltage 2. Motor windings connected for wrong voltage on dual voltage model 3. Inadequate ventilation
Pump delivers no water	<ol style="list-style-type: none"> 1. Pump is not primed 2. Closed valve in suction or discharge line 3. Leakage or air into suction system 4. Impeller clogged
Low pump capacity.	<ol style="list-style-type: none"> 1. Valve in suction or discharge line partly closed 2. Suction or discharge line partly plugged 3. Suction or discharge line too small 4. Pump running at reduced speed (see above) 5. Plugged basket in skimmer or hair and lint strainer 6. Dirty filter 7. Impeller clogged
Low pump pressure	<ol style="list-style-type: none"> 1. Pump running at reduced speed (see above) 2. Discharge valve or inlet fittings closed too much
High pump pressure	<ol style="list-style-type: none"> 1. Discharge valve or inlet fittings closed too much 2. Return lines too small 3. Dirty filters
Noisy pump and motor	<ol style="list-style-type: none"> 1. Plugged basket in skimmer or strainer basket 2. Worn motor bearings 3. Valve in suction line partly closed 4. Suction line partly plugged 5. Vacuum hose plugged or too small 6. Pump not supported properly
The pump is leaking water between the motor and pump body	<ol style="list-style-type: none"> 1. This is caused by a damaged or failed mechanical seal. Replace the seal
Air bubbles at inlet fittings	<ol style="list-style-type: none"> 1. Leakage air into suction line at connections or valve stem 2. Cover gasket of hair and lint strainer needs cleaning 3. Restriction in suction line 4. Low water level in pool

Section 7. Technical Data

Model	GPM	HP	THP	RPM	Volts/ HZ	Amps
PAG100 PAG100T	60	1.00	0.75	3450	115V/60HZ	9
PAG150 PAG150T	70	1.50	1.0			12

NOTES

NOTES

© 2022 Zodiac Pool Systems LLC. All rights reserved. Polaris® and the 3-wheeled cleaner design are registered trademarks of Zodiac Pool Systems LLC. All other trademarks referenced are the property of their respective owners.

© 2022 Zodiac Pool Systems LLC. Todos los derechos reservados. Polaris® y el diseño de limpiafondos de tres ruedas son marcas registradas de Zodiac Pool Systems LLC. Las demás marcas mencionadas en esta guía son propiedad de sus respectivos propietarios.

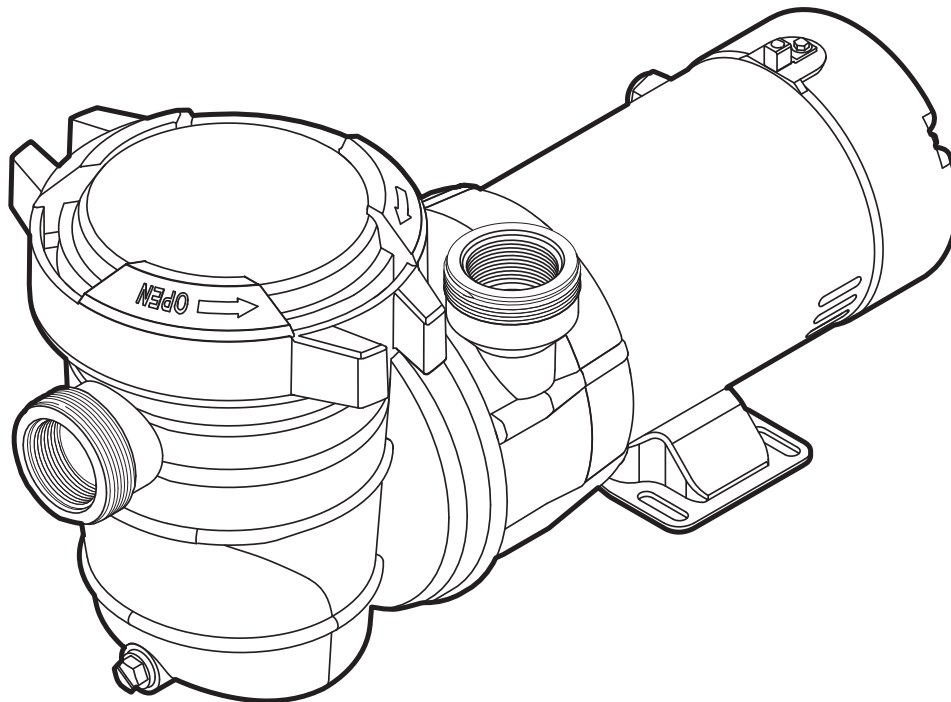
© 2022 Zodiac Pool Systems LLC. Tous droits réservés. Polaris® et la conception de nettoyeur à 3 roues sont des marques déposées de Zodiac Pool Systems LLC. Toutes les autres marques de commerce citées dans le présent document appartiennent à leurs propriétaires respectifs.

Zodiac Pool Systems LLC

2882 Whiptail Loop # 100
Carlsbad, CA 92010, USA
1.800.822.7933
polarispool.com

Zodiac Pool Systems Canada, Inc.

2-3365 Mainway, Burlington,
ON L7M 1A6, Canada
1.800.822.7933
polarispool.ca



**Pompe hors sol
PAG100, PAG100T
PAG150, PAG150T**

**Manuel du propriétaire
FRANÇAIS**

⚠ AVERTISSEMENT

POUR VOTRE SÉCURITÉ, ce produit doit être installé et entretenu par un entrepreneur disposant d'une licence et qui est qualifié en équipements de piscine par la juridiction dans laquelle le produit est installé lorsque de telles exigences provinciales ou locales existent. L'agent d'entretien doit être un professionnel disposant de suffisamment d'expérience dans l'installation et l'entretien de l'équipement de piscine, afin de s'assurer que toutes les directives du présent manuel sont scrupuleusement respectées. Avant d'installer ce produit, lire et suivre tous les avertissements et toutes les directives qui accompagnent ce produit. Tout non-respect des instructions d'avertissement peut entraîner des dommages matériels, des blessures corporelles ou même la mort. Une mauvaise installation ou utilisation annule la garantie.



Une mauvaise installation ou utilisation peut engendrer un danger électrique pouvant entraîner des dommages matériels ou des blessures graves, voire mortelles.

NE PAS MODIFIER CET ÉQUIPEMENT

À L'ATTENTION DE L'INSTALLATEUR - Le présent manuel contient des informations importantes sur l'installation, le fonctionnement et l'utilisation sécuritaire de ce produit. Ces informations doivent être transmises au propriétaire ou à l'utilisateur de cet équipement.

Table des matières

Section 1. CONSIGNES DE SÉCURITÉ IMPORTANTES.....	15
1.1 Directives pour la prévention de l'effet ventouse d'une pompe de piscine.	17
Section 2. Installation.....	18
2.1 Emplacement de l'installation	18
2.2 Raccordements généraux	18
2.3 Plomberie de la pompe	18
2.4 Données électriques.....	18
2.5 Liaison et mise à la terre	19
Section 3. Mise en marche de la pompe.....	19
3.1 Amorçage	19
3.2 Démarrage	19
3.3 Pompes à vitesse simple.....	19
Section 4. Hivernage	20
4.1 Chimie de l'eau	20
4.2 Entretien de la pompe	20
Section 5. Pièces de service et de réparation	20
Section 6. Dépannage	21
Section 7. Données techniques	21

ENREGISTREMENT DES INFORMATIONS SUR L'ÉQUIPEMENT

DATE DE L'INSTALLATION _____

COORDONNÉES DE L'INSTALLATEUR _____

PREMIÈRE LECTURE DU MANOMÈTRE (AVEC FILTRE PROPRE) _____

MODÈLE DE LA POMPE _____ HP _____

REMARQUES : _____

Section 1. CONSIGNES DE SÉCURITÉ IMPORTANTES

LIRE ET SUIVRE TOUTES LES DIRECTIVES

Tout travail électrique doit être effectué par un professionnel qualifié en piscine ou détenant un permis, et se conformer aux codes locaux, provinciaux et nationaux. Lors de l'installation et de l'utilisation de cet équipement électrique, les consignes de sécurité élémentaires doivent toujours être respectées, notamment les mises en garde suivantes :

AVERTISSEMENT

RISQUE D'EFFET D'ASPIRATION QUI, S'IL N'EST PAS ÉVITÉ, PEUT CAUSER DES BLESSURES GRAVES OU MORTELLES.

Ne pas bloquer l'aspiration de la pompe, ce qui pourrait causer des blessures graves, voire mortelles. Ne pas utiliser cette pompe pour les pataugeoires, les piscines peu profondes ou les spas contenant des drains de fond. Les ensembles de sortie d'aspiration (drain) et leurs couvercles doivent être certifiés conformes à la dernière édition publiée de ANSI®/ASME® A112.19.8, ou à sa norme qui lui succède, ANSI/APSP-16.

AVERTISSEMENT

Pour réduire les risques de blessures, ne pas laisser les enfants utiliser ce produit. Tous les composants du système, tels que les pompes, les filtres et les appareils de chauffage, etc., doivent être placés de manière à éviter qu'ils ne soient utilisés comme moyen d'accès à la piscine par de jeunes enfants.

AVERTISSEMENT

Pour réduire les risques de dommages matériels ou de blessures, ne pas tenter de modifier la position de la valve du lavage à contre-courant (ports multiples, glisser ou débit plein) lorsque la pompe fonctionne.

AVERTISSEMENT

Les pompes Polaris sont alimentées par un moteur électrique haute tension et doivent être installées par un électricien agréé ou qualifié ou un technicien d'entretien des piscines.

AVERTISSEMENT

RISQUE DE DÉCHARGE ÉLECTRIQUE, D'INCENDIE, DE BLESSURES OU DE MORT. Raccorder uniquement à une prise avec fuite à la terre qui est protégée par un disjoncteur de fuite à la terre (DDFT) (Canada: CLASSE A). Contacter un électricien qualifié s'il n'est pas possible de vérifier que le circuit est équipé d'un différentiel ou non. S'assurer qu'un tel différentiel est fourni par l'installateur et qu'il est testé quotidiennement. Pour tester le différentiel, appuyer sur le bouton de test. Le différentiel doit couper le DDFT de l'alimentation. Appuyer sur le bouton de remise en route. L'alimentation doit être rétablie. Si le DDFT ne fonctionne pas comme indiqué, c'est qu'il est défectueux. Si le différentiel coupe l'alimentation de la pompe sans que le bouton de test ait été enfoncé, cela indique la présence d'un courant de terre, signifiant un risque de décharge électrique. Ne pas utiliser la pompe. Débrancher la pompe et faire corriger le problème par un représentant de service qualifié avant toute utilisation.

En raison du risque potentiel d'incendie, d'électrocution ou de blessures corporelles, les pompes Polaris doivent être installées conformément au National Electrical Code® (NEC®), au Code canadien de l'électricité (CEC) à tous les codes électriques et de sécurité locaux, ainsi que selon la loi Occupational Safety and Health Act (OSHA®). Il est possible de commander des copies du NEC auprès de la National Fire Protection Association® (NFPA®) en ligne sur www.nfpa.org, en appelant le 617 770-3000 ou en contactant votre agence d'inspection du gouvernement.

AVERTISSEMENT

Un équipement mal installé peut faire défaut, causant de graves blessures ou dommages matériels. **NE PAS MODIFIER CET ÉQUIPEMENT.**

AVERTISSEMENT

Pour réduire le risque de choc électrique, remplacer immédiatement le cordon endommagé. Si le remplacement de la fiche ou du cordon est nécessaire, utiliser uniquement des pièces de rechange identiques. Pour réduire le risque de choc électrique, ne pas utiliser de rallonge pour connecter l'appareil à l'alimentation électrique; prévoir une prise correctement située.

AVERTISSEMENT

- Ne pas raccorder le système à un réseau municipal d'approvisionnement en eau non régulé ni à aucune autre source externe d'eau sous pression produisant des pressions supérieures à 2,41 BAR (35 lb-po²).
- La présence d'air emprisonné dans le système peut faire sauter le couvercle du filtre et entraîner le décès, de graves blessures corporelles ou des dommages matériels. Veiller à ce que tout l'air a quitté le système avant d'utiliser l'équipement.

AVERTISSEMENT

Pour réduire le risque de blessures graves ou de décès, la pompe ou le filtre ne doit pas être soumis à un essai de mise sous pression de la tuyauterie.

Les codes locaux peuvent exiger l'application d'un test de mise sous pression au niveau de la tuyauterie de la piscine. Généralement, ces exigences ne sont pas conçues pour être appliquées à l'équipement de piscine, comme les filtres ou les pompes.

L'équipement de piscine Polaris est soumis à des tests de mise sous pression en usine.

Toutefois, si cet AVERTISSEMENT ne peut pas être respecté et que le test de mise sous pression du système de tuyauterie doit inclure le filtre et/ou la pompe, S'ASSURER DE RESPECTER LES CONSIGNES DE SÉCURITÉ SUIVANTES :

- Vérifier les serre-joints, les boulons, les couvercles, les anneaux de blocage et les accessoires du système pour s'assurer qu'ils sont correctement installés et fixés solidement avant d'effectuer un test.
- LIBÉRER TOUT L'AIR présent dans le système avant le test.
- La pression de l'eau pendant le test NE DOIT PAS DÉPASSER 2,41 BAR (35 lb-po²).
- La température de l'eau pendant le test NE DOIT PAS DÉPASSER 38 °C (100 °F).
- Limiter la durée du test à 24 heures. Après le test, vérifier visuellement le système pour s'assurer qu'il est prêt à fonctionner.

REMARQUE : Ces paramètres s'appliquent à l'équipement Polaris uniquement. Pour tout équipement d'une autre marque que Polaris, consulter le fabricant.

AVERTISSEMENT

Les déversements de produits chimiques et les émanations peuvent affaiblir l'équipement de piscine/spa. La corrosion peut provoquer la panne des filtres et d'autres équipements, entraînant ainsi de graves blessures ou des dommages matériels. Ne pas ranger les produits chimiques à proximité de votre équipement.

MISE EN GARDE

Ne pas démarrer la pompe à sec! Le fait de laisser fonctionner la pompe à sec pendant un certain temps provoquera de graves dommages et annulera la garantie.

MISE EN GARDE

Seulement pour les Etats-Unis, destiné aux piscines hors sol installées de façon permanente et peut également être utilisé dans les cuves thermales et les spas lorsque cela est indiqué. Ne pas utiliser avec des piscines pouvant être entreposées. Une piscine permanente est construite dans le sol, sur le sol ou dans un bâtiment, de telle manière qu'elle ne puisse pas être facilement démontée et rangée. Une piscine pouvant être rangée est construite pour qu'elle puisse être démontée facilement aux fins d'entreposage, puis remontée à son état initial.

MISE EN GARDE

Ne pas installer la pompe dans un boîtier extérieur ou sous les rebords d'une cuve thermique ou d'un spa. Celle-ci nécessite une ventilation adéquate pour maintenir une température ambiante inférieure à la température ambiante maximale figurant sur la plaque signalétique du moteur.

MISE EN GARDE

Afin d'éviter une défaillance prématurée ou des dommages à l'équipement, le protéger de l'exposition directe à l'eau provenant des gicleurs, du ruissellement des toits et du drainage, etc. Le non-respect de cette consigne peut entraîner une défaillance de l'équipement et peut également annuler la garantie.

MISE EN GARDE

Pour réduire le risque de choc électrique, la piscine doit être installée à au moins 1,8 m (6 pi) de toute prise électrique. Ne pas placer d'appareils portatifs à moins de 1,8 m (6 pi) de la piscine. Au Canada, la distance minimale maintenue du bord de la piscine et/ou du spa comme indiqué ci-dessus doit être de 3 m (10 pi), tel que requis par le Code canadien de l'électricité (CEC, CSA C22.1). Les pompes de piscine situées à moins de 3 m (10 pi) des parois de la piscine doivent être spécifiquement approuvées à cet effet. Ne pas enterrer le cordon. Installer le cordon de manière à ce qu'il ne soit pas endommagé par les tondeuses à gazon, les taille-haies et d'autres équipements

CONSERVER CES DIRECTIVES

1.1 Directives pour la prévention de l'effet ventouse d'une pompe de piscine.



⚠ AVERTISSEMENT

RISQUE D'ASPIRATION. Peut causer une blessure grave voire la mort. Ne pas utiliser cette pompe pour les pataugeoires, les piscines peu profondes ou les spas disposant de drains au fond, à moins que la pompe ne soit connectée à au moins deux (2) prises d'aspiration fonctionnelles.

⚠ AVERTISSEMENT

L'aspiration générée par la pompe est dangereuse et peut coincer et noyer ou éventrer les baigneurs. Ne pas utiliser ni faire fonctionner des piscines, spas ou cuves thermales si le couvercle de la sortie d'aspiration est manquant, brisé ou desserré. Les directives suivantes fournissent de l'information sur l'installation de la pompe qui minimise les risques de blessures chez les utilisateurs de piscines, de spas ou de cuves thermales :

Protection contre le piégeage : le système d'aspiration de la pompe doit protéger contre les risques de piégeage par aspiration.

Couvercles de sortie d'aspiration - Toutes les sorties d'aspiration doivent être correctement installées, avec les couvercles vissés en place. Tous les couvercles de la prise d'aspiration (drain) doivent être correctement entretenus. Les couvercles doivent être certifiés selon la dernière version de ANSI®/ASME® A112.19.8 ou sa norme ayant droit, ANSI/ APSP-16. Ils doivent être remplacés s'ils sont fissurés, brisés ou manquants.

Nombre de sorties d'aspiration par pompe - Lorsque les sorties sont suffisamment petites pour être bloquées par une personne, fournir aux moins deux (2) drains principaux hydrauliquement équilibrés avec les couvercles, en tant que sorties d'aspiration pour chaque conduite d'aspiration de pompe. Les centres des drains principaux (sortie d'aspiration) sur n'importe quelle conduite d'aspiration doivent être situés à au moins 90 cm (3 pi) de distance, centre à centre. Se reporter à la Figure 1.

Le système **doit** être construit pour inclure au moins deux (2) prises d'aspiration (drains) raccordées à la pompe lorsqu'elle fonctionne. Cependant, si deux (2) drains principaux deviennent une seule conduite d'aspiration, celle-ci peut être dotée d'une valve qui verrouille les deux drains principaux de la pompe. Le système sera construit de manière à ne pas permettre un verrouillage séparé ou indépendant, ni l'isolation de chaque drain. Se reporter à la Figure 1.

D'autres pompes peuvent être raccordées à une seule conduite d'aspiration tant que les exigences ci-dessus sont respectées.

Vélocité de l'eau - la vitesse maximale d'écoulement de l'eau à travers le raccord d'aspiration ou le couvercle de n'importe quelle prise d'aspiration doit être de 1.5 pied par seconde, sauf si la prise est conforme à la dernière version de ANSI/ASME A112.19.8 ou à sa norme ayant droit, ANSI/ APSP-16, la norme pour Raccords d'aspiration à utiliser dans les piscines, pataugeoires, spas et cuves thermales. Quoi qu'il en soit, ne pas dépasser le débit d'écoulement maximum conçu pour le raccord d'aspiration.

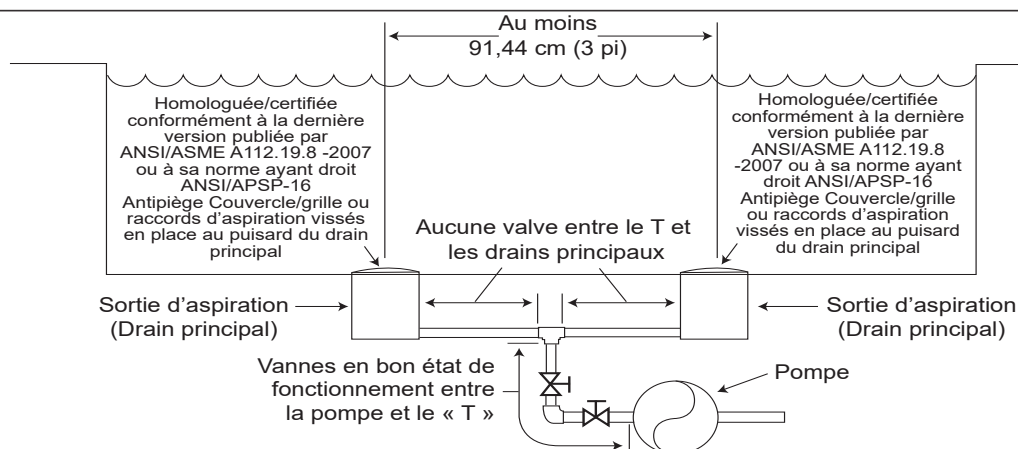
Si 100 % du débit de la pompe provient du système du drain principal, la vitesse maximale d'écoulement de l'eau dans le système hydraulique d'aspiration de la pompe doit être de six (6) pieds par seconde ou moins, même si un (1) drain principal (sortie d'aspiration) est complètement obstrué. Le débit dans le(s) drain(s) principal(aux) doit se conformer à la dernière version de ANSI/ASME A112.19.8 ou à son ayant droit, ANSI/ APSP-16, la norme pour Raccords d'aspiration à utiliser dans les piscines, pataugeoires, spas et cuves thermales.

Essais et certification - Les couvercles de sortie d'aspiration doivent être testés par un laboratoire d'essais reconnu à l'échelle nationale et se conformer à la dernière édition publiée de ANSI/ASME A112.19.8 ou son ayant droit, ANSI/APSP-16, la norme pour Raccords d'aspiration à utiliser dans les piscines, pataugeoires, spas et cuves thermales.

Raccords : les raccords limitent le débit; pour une meilleure efficacité, utiliser le moins de raccords possibles (mais au moins deux (2) prises d'aspiration).

Éviter les raccords qui pourraient emprisonner de l'air.

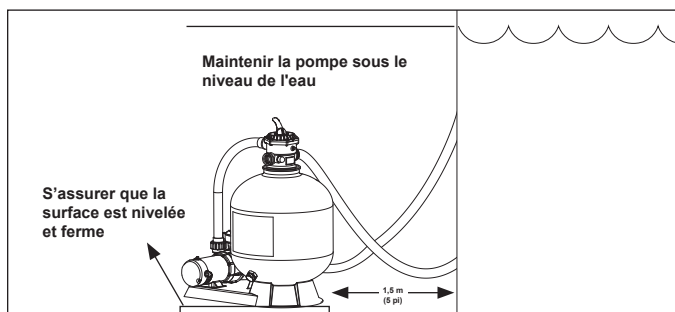
Les raccords d'aspiration pour piscine doivent se conformer aux normes de l'International Association of Plumbing and Mechanical Officials (IAPMO®).



Section 2. Installation

2.1 Emplacement de l'installation

La pompe doit être installée sur une base ou un socle ferme et de niveau. Lorsque la base fournie par l'usine est utilisée, s'assurer que l'installation est de niveau et sans vibration. La pompe doit être installée sous la ligne d'eau.



Bien que la pompe soit conçue pour une utilisation en extérieur, il est recommandé que l'installation tienne compte des points suivants :

- Évacuation – loin de la pompe.
- Écoulement des avant-toits et des gicleurs.
- Ventilation du moteur de la pompe.
- Accès pour entretien futur et hivernage.
- Protection contre les intempéries.
- Exposition au soleil.

Placer la pompe aussi près que possible de la piscine pour réduire la friction et augmenter l'efficacité. Cependant, la pompe doit être à au moins 1,8 m (6 pi) du bord de la piscine, ou être séparée par une barrière permanente. Positionner la pompe et tous les composants du système de filtration de sorte qu'ils ne puissent PAS être utilisés comme moyen d'accès à la piscine par de jeunes enfants. Au Canada, la distance minimale maintenue du bord de la piscine et/ou du spa comme indiqué ci-dessus doit être de 3 m (10 pi), tel que requis par le Code canadien de l'électricité (CEC, CSA C22.1). Les pompes de piscine situées à moins de 3 m (10 pi) des parois de la piscine doivent être spécifiquement approuvées à cet effet.

⚠ AVERTISSEMENT

Pour réduire le risque d'incendie, installer l'équipement de la piscine dans une zone où les feuilles et autres débris ne risquent pas de s'accumuler sur ou autour de l'équipement. Maintenir la zone libre de débris tels que du papier, des feuilles, des aiguilles de pin et autres matières combustibles.

⚠ MISE EN GARDE

Afin d'éviter une défaillance prématurée ou des dommages au moteur de la pompe, la protéger de l'exposition directe à l'eau provenant des gicleurs, du ruissellement des toits et du drainage, etc. Le non-respect de cette consigne peut entraîner une défaillance de la pompe et peut également annuler la garantie.

2.2 Raccordements généraux

2.2.1 Raccordements de soudage au solvant

Un conduit en PVC rigide ou flexible peut être utilisé. Les extrémités des conduits doivent être propres et exemptes de bavures causées par la coupe. S'assurer que l'adhésif approprié est utilisé sur le type de tuyau spécifié.

REMARQUE: Un apprêt garantira que la supériorité des joints adhésifs. Suregard P-3000 a un traceur violet pour se qualifier dans les zones où les codes spécifient qu'un apprêt doit être utilisé.

⚠ MISE EN GARDE

Nous vous recommandons de tenir compte des conditions climatiques lors de l'application des adhésifs. Certaines situations atmosphériques, telles qu'un taux d'humidité élevé, rendent l'action adhésive de certaines colles moins efficace. Vérifier les instructions du fabricant.

2.2.2 Raccordements filetés

Utiliser uniquement du ruban Téflon ou équivalent sur les raccordements de plomberie filetés. D'autres composés pour conduits peuvent endommager les filetages. Nous ne recommandons pas l'utilisation de composés à base de silicone ou de pétrole.

NE PAS TROP SERRER – SERRER À LA MAIN PLUS UN ½ TOUR SUFFIT.

2.3 Plomberie de la pompe

La conduite d'aspiration doit être aussi large ou plus grand que la conduite d'évacuation. Éviter d'utiliser une conduite d'aspiration plus petite que le raccordement de la pompe.

1. Garder la tuyauterie aussi droite et courte que possible, et de taille appropriée.
2. Éviter de raccorder un coude directement à l'entrée de la pompe (utiliser une longueur de tuyau droit pour permettre une entrée appropriée pour l'eau).
3. Soutenir la conduite indépendamment afin qu'elle n'exerce aucune contrainte sur la pompe.
4. Il est recommandé d'installer des robinets sur les conduites d'aspiration et de sortie pour empêcher l'eau de s'écouler lors de l'entretien de la pompe. Ne jamais faire fonctionner la pompe avec les robinets fermés.

2.4 Données électriques

- Se reporter aux informations sur la plaque signalétique du moteur pour les données de service électrique.

⚠ MISE EN GARDE

Tout défaut de fournir une tension selon la plaque signalétique (+/- 10 %) pendant l'opération entraînera la surchauffe du moteur et annulera la garantie.

- Tous les moteurs doivent avoir un sectionneur à fusibles ou un disjoncteur.

- S'assurer que la taille du fil est suffisante pour la pompe HP et la distance de la source d'alimentation.
- Le câblage doit être effectué conformément aux codes applicables par un électricien agréé.
- Connecter uniquement à une prise protégée par DDFT (Canada: CLASSE A).
- NE PAS UTILISER DE RALLONGE.

AVERTISSEMENT

Il faut toujours déconnecter la source d'alimentation électrique avant de travailler sur un moteur ou sa charge connectée.

AVERTISSEMENT

RISQUE DE CHOC ÉLECTRIQUE. En raison du risque potentiel d'incendie, d'électrocution ou de blessures corporelles, les pompes Polaris® et toutes charges auxiliaires doivent être installées conformément au National Electrical Code® (NEC®), aux codes électriques et de sécurité locaux, ainsi que selon la loi Occupational Safety and Health Act (OSHA). Il est possible de commander des copies du NEC auprès de la National Fire Protection Association, 1 Batterymarch Park, Quincy, MA 02169 ou de votre agence d'inspection du gouvernement. Au Canada, les pompes Polaris doivent être installées conformément au Code canadien de l'électricité (CCE).

2.5 Liaison et mise à la terre

En plus d'une mise à la terre adéquate conformément aux exigences du National Electrical Code (NEC) ou au Canada le Code Canadien de l'électricité (CCE), le moteur de la pompe doit être relié aux pièces métalliques de la piscine, du spa ou de la cuve thermique et à tous les composants et équipements électriques avec le système de circulation d'eau de la piscine ou du spa. Cette liaison doit être réalisée en utilisant un conducteur en cuivre plein, AWG n° 8 ou plus gros. Au Canada, il faut utiliser du AWG n° 6 ou plus gros. Relier le moteur en utilisant la languette de liaison externe fournie sur le cadre du moteur. Se reporter à la Figure 8.

Le National Electrical Code® (NEC®) requiert la mise à la terre de la piscine. Lorsqu'aucun(e) équipement, structure ou pièce de la piscine mis(e) à la terre n'est en connexion directe avec l'eau de la piscine, l'eau de la piscine devra être en contact direct avec une surface conductrice approuvée résistante à la corrosion qui n'expose pas moins de 5800 mm² (9 po²) de la surface de l'eau de la piscine en tout temps. La surface conductrice devra être située à un endroit où celle-ci n'est pas exposée à des dommages physiques ou à des délogements au cours des activités courantes en piscine, et devra être mise à la terre conformément aux exigences en matière de mise à la terre du NEC Article 680. Se reporter aux codes appliqués localement pour toute exigence supplémentaire en matière de mise à la terre.

Section 3. Mise en marche de la pompe

3.1 Amorçage

ARRÊTER LA POMPE et FERMER les vannes d'aspiration et de d'évacuation.

1. Relâcher toute la pression de la pompe et du système de tuyauterie.
2. Remplir le boîtier du filtre avec de l'eau. NE JAMAIS faire fonctionner la pompe sans eau. Faire fonctionner la pompe « à sec » pendant un certain temps peut causer de graves dommages à la pompe, aux joints et au moteur, et peut annuler la garantie.
3. Inspecter, nettoyer et utiliser uniquement un lubrifiant à base de silicone pour éviter d'endommager le joint torique.
4. Replacer le couvercle de la crépine et serrer à la main uniquement.
5. Ouvrir toutes les vannes avant de démarrer la pompe.
6. Évacuer tout l'air du filtre et du système de tuyauterie. Voir les instructions d'utilisation des filtres.
7. Avec les vannes d'aspiration et d'évacuation ouvertes et la pompe située sous la ligne d'eau de la piscine, activer la pompe et la laisser s'amorcer.

Si la pompe ne s'amorce pas dans les dix minutes, arrêter le moteur et déterminer la cause. S'assurer que les vannes d'aspiration et d'évacuation sont ouvertes. Voir le guide de dépannage pour plus d'instructions.

3.2 Démarrage

- Une fois la pompe amorcée, mettre le moteur sous tension et ouvrir toutes les vannes des conduites d'aspiration et d'évacuation.

REMARQUE : La pompe peut mettre un certain temps à éliminer l'air des conduites d'aspiration.

- Si aucun débit n'est observé dans les cinq minutes, arrêter le moteur et réamorcer. Si la pompe ne fonctionne pas, vérifier s'il y a des fuites d'air. (Se reporter à la section Dépannage.)
- Après environ dix minutes de fonctionnement, vérifier s'il y a des bulles d'air provenant des raccords de retour. Un flux d'air continu indique des fuites dans la conduite d'aspiration. Localiser et corriger immédiatement toute fuite.
- Garder le robinet à vanne de la conduite d'aspiration complètement ouvert pendant le fonctionnement. S'il est nécessaire de contrôler l'évacuation, utiliser une vanne dans la conduite de retour.

MISE EN GARDE

Ne pas resserrer la bague de verrouillage de la crépine pendant le fonctionnement. Ne pas faire fonctionner la pompe avec des vannes d'aspiration ou d'évacuation fermées.

3.3 Pompes à vitesse simple

Il est fortement recommandé d'installer un interrupteur marche/arrêt ou une minuterie. À défaut, la pompe fonctionnera en continu. La pompe ne doit pas être débranchée lorsqu'elle est sous tension, car des risques pour la sécurité tels que des étincelles peuvent se produire.

⚠ AVERTISSEMENT

S'assurer que le commutateur de contrôle, l'horloge ou le système de contrôle est installé à un endroit accessible afin qu'en cas de défaillance de l'équipement ou d'un raccord de plomberie desserré, l'équipement peut être désactivé. Cet endroit ne doit pas être dans la même zone que la pompe de la piscine, le filtre et autres équipements.

Section 4. Hivernage

⚠ MISE EN GARDE

La pompe **doit être** protégée en prévision des températures de gel. Si la pompe gèle, cela causera de graves dommages qui pourraient annuler la garantie.

⚠ MISE EN GARDE

Ne pas utiliser de solutions d'antigel dans les systèmes de piscine, de spa ou de cuve thermique!
L'antigel est très toxique et peut endommager le système de circulation. La seule exception est le propylène glycol. Pour plus d'informations, consulter le détaillant local en piscine/spa ou prendre contact avec une entreprise d'entretien de piscine qualifiée.

⚠ AVERTISSEMENT

Risque d'électrocution. Couper l'alimentation du moteur de la pompe en débranchant la pompe.

1. Vidanger toute l'eau de la pompe, de l'équipement du système et de la tuyauterie.
2. Garder le moteur couvert et au sec. Ne pas couvrir la pompe avec du plastique, car ceci va créer de la condensation susceptible d'endommager la pompe.

REMARQUE Après avoir débranché l'alimentation et vidé toute l'eau de la pompe, il est recommandé de retirer la pompe de la plomberie et de la ranger à l'intérieur.

3. Lorsque le système est rouvert pour la mise en marche, demander à un technicien ou un électricien de vérifier que toute la tuyauterie, toutes les vannes, tout le câblage et l'équipement est conforme aux recommandations du fabricant. Prêter une attention particulière au filtre et aux connexions électriques.
4. La pompe doit être amorcée avant d'être démarrée. Se reporter à la section 3.2, La mise en marche.

4.1 Chimie de l'eau

- Une utilisation appropriée et cohérente de produits chimiques est nécessaire pour maintenir une eau propre et salubre, pour empêcher la propagation des infections germinales et contrôler la croissance des algues qui peuvent gâcher l'apparence et le plaisir de votre piscine ou de votre spa.
- Le chlore est le produit chimique le plus couramment utilisé pour fournir de l'eau propre et sanitaire. Du chlore sec ou liquide (hypochlorite de calcium ou de sodium) peut être utilisé et doit être ajouté quotidiennement, car il est dissipé par la saleté et les germes ainsi que par le soleil et le vent.

- Il est important de maintenir le bon niveau d'acidité ou d'alcalinité de l'eau de la piscine. Une plage souhaitable est de 7,2 à 7,4, le pH de votre piscine à pH 7,0 étant neutre. Les lectures au-dessus de 7,0 sont alcalines et ci-dessous sont acides.

4.2 Entretien de la pompe

⚠ AVERTISSEMENT

Pour éviter tout risque de dommages matériels ou de blessures corporelles graves, voire la mort, couper l'alimentation à la pompe en débranchant le moteur de la pompe avant de procéder à l'entretien de la pompe.

- Tout entretien doit être effectué avec le disjoncteur éteint.
- Les moteurs sont autolubrifiants – aucune lubrification n'est requise.
- Nettoyer le panier-filtre.
- Inspecter visuellement le moteur pour le blocage des bouches d'aération sur la coque du moteur. Retirer les débris.
- Les joints d'arbre peuvent s'user et doivent être remplacés en cas de fuite.

4.2.1 Entretien du panier-filtre

Pour nettoyer la pompe :

1. Couper l'alimentation.
2. Fermer les vannes dans les conduites d'aspiration et de retour.
3. Retirer la bague de verrouillage de la crépine dans le sens inverse des aiguilles d'une montre et retirer le couvercle du panier de la crépine.
4. Soulever le panier-filtre.
5. Nettoyer et remplacer le panier. Prendre soin de bien asseoir le panier.
6. Nettoyer le joint torique et n'utiliser que du lubrifiant à base de silicone pour éviter d'endommager le joint torique.
7. Nettoyer les sièges des joints toriques sur le couvercle et la crépine.
8. Remettre le couvercle et la crépine – serrer à la main uniquement – et ouvrir les vannes.
9. Remettre la pompe en marche.

⚠ MISE EN GARDE

Ne pas resserrer la bague de la crépine pendant le fonctionnement.

Section 5. Pièces de service et de réparation

Commander toutes les pièces de rechange auprès de votre revendeur. Donner les informations suivantes lors de la commande de pièces de rechange :

- Données de la plaque signalétique de l'appareil.
- Description de la pièce.

Section 6. Dépannage

Si les recommandations de cette section ne résolvent pas le ou les problèmes particuliers, prendre contact avec le revendeur local pour le service.

Symptôme	Cause possible/Solution
Le moteur ne démarre pas.	<ol style="list-style-type: none"> 1. Sectionneur ou disjoncteur en position OFF (ARRÊT) 2. Fusibles grillés ou surcharge thermique ouverte. Arbre moteur bloqué 3. Bobinages du moteur grillés 4. Interrupteur de démarrage défectueux à l'intérieur du moteur monophasé 5. Câblage déconnecté ou défectueux 6. Basse tension
Le moteur n'atteint pas sa pleine vitesse.	<ol style="list-style-type: none"> 1. Basse tension 2. Enroulements de moteur connectés à une tension incorrecte sur le modèle à double tension
Surchauffe du moteur (protège les déclenchements).	<ol style="list-style-type: none"> 1. Basse tension 2. Enroulements de moteur connectés à une tension incorrecte sur le modèle à double tension 3. Ventilation inadéquate
La pompe ne fournit pas d'eau	<ol style="list-style-type: none"> 1. La pompe n'est pas amorcée 2. Vanne fermée dans la conduite d'aspiration ou d'évacuation 3. Fuite ou air dans le système d'aspiration 4. Turbine bouchée
Faible capacité de la pompe.	<ol style="list-style-type: none"> 1. Vanne dans la conduite d'aspiration ou d'évacuation partiellement fermée 2. Conduite d'aspiration ou d'évacuation partiellement bouchée 3. Conduite d'aspiration ou d'évacuation trop petite 4. Pompe fonctionnant à vitesse réduite (voir ci-dessus) 5. Panier bouché dans l'écumoire ou le filtre à cheveux et à charpie 6. Filtre sale 7. Turbine bouchée
Pression de la pompe basse	<ol style="list-style-type: none"> 1. Pompe fonctionnant à vitesse réduite (voir ci-dessus) 2. Vanne de refoulement ou raccords d'admission trop fermés
Pression de pompe élevée	<ol style="list-style-type: none"> 1. Vanne de refoulement ou raccords d'admission trop fermés 2. Conduites de retour trop petites 3. Filtres sales
Pompe et moteur bruyants	<ol style="list-style-type: none"> 1. Panier bouché dans l'écumoire ou le panier de crépine 2. Roulements de moteur usés 3. Vanne dans la conduite d'aspiration partiellement fermée 4. Conduite d'aspiration partiellement bouchée 5. Tuyau d'aspiration bouché ou trop petit 6. La pompe n'est pas correctement soutenue
Il y a une fuite d'eau entre le moteur et le corps de la pompe	<ol style="list-style-type: none"> 1. Ceci est causé par un joint mécanique endommagé ou défectueux. Remplacer le joint mécanique
Bulles d'air dans les raccords d'entrée	<ol style="list-style-type: none"> 1. Fuite d'air dans la conduite d'aspiration au niveau des raccords ou de la tige de vanne 2. Le joint du couvercle du filtre à cheveux et à charpie doit être nettoyé 3. Restriction dans la conduite d'aspiration 4. Niveau d'eau bas dans la piscine

Section 7. Données techniques

Modèle	Gal/min	HP (CV)	THP	RPM	Volts / Hz	Amp.
PAG100 PAG100T	60	1,00	0,75	3450	115 V/60 HZ	9
PAG150 PAG150T	70	1,50	1,0			12

REMARQUES

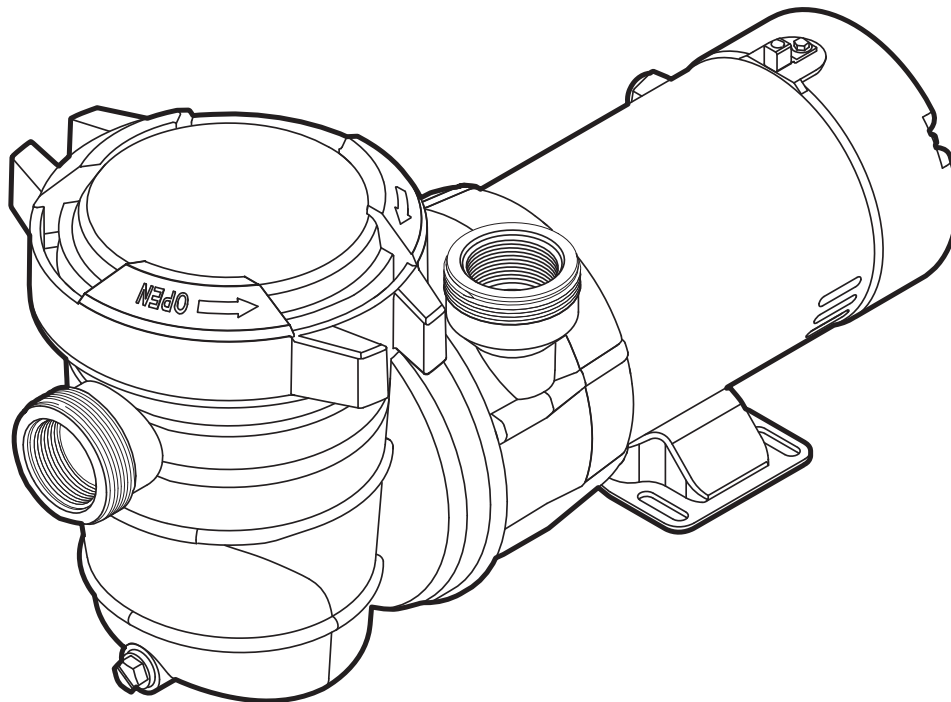
REMARQUES

Zodiac Pool Systems LLC

2882 Whiptail Loop # 100
Carlsbad, CA 92010, USA
1.800.822.7933
polarispool.com

Zodiac Pool Systems Canada, Inc.

2-3365 Mainway, Burlington,
ON L7M 1A6, Canada
1.800.822.7933
polarispool.ca



Bomba sobre el piso
PAG100, PAG100T
PAG150, PAG150T
Manual del propietario
ESPAÑOL

⚠ ADVERTENCIA

PARA SU SEGURIDAD: La instalación y el servicio de este producto deben estar a cargo de un contratista cualificado y matriculado para trabajar con equipamientos para piscinas en la jurisdicción en la que se instalará el producto, donde existan tales requisitos estatales/provinciales o locales. La persona encargada del mantenimiento debe ser profesional y contar con experiencia suficiente en la instalación y el mantenimiento de equipos para piscinas, para que todas las instrucciones de este manual se puedan seguir con exactitud. Antes de instalar este producto, lea y siga todos los avisos de advertencia y todas las instrucciones que se proporcionan con el producto. Si no se siguen los avisos de advertencia o las instrucciones, es posible que se produzcan daños materiales, lesiones personales o la muerte. Una instalación u operación incorrectas pueden anular la garantía.



La instalación o la operación inadecuadas pueden generar peligros eléctricos no deseados que pueden provocar lesiones graves, daños materiales o la muerte.

NO MODIFIQUE ESTE EQUIPO

ATENCIÓN, INSTALADOR: Este manual contiene información importante acerca de la instalación, la operación y la utilización seguras de este producto. Esta información debe ser entregada al dueño u operador de este equipo.

Contenido

Sección 1. INSTRUCCIONES IMPORTANTES DE SEGURIDAD 27

- 1.1 Pautas para la prevención de atrapamiento por la succión de la bomba 29

Sección 2. Instalación..... 30

- 2.1 Ubicación de instalación 30
- 2.2 Conexiones generales 30
- 2.3 Tuberías de la bomba 30
- 2.4 Datos eléctricos..... 30
- 2.5 Conexión equipotencial y conexión a tierra..... 31

Sección 3. Puesta en funcionamiento de la bomba..... 31

- 3.1 Cebado..... 31
- 3.2 Puesta en funcionamiento..... 31
- 3.3 Bombas de velocidad única 32

Sección 4. Preparación para el invierno 32

- 4.1 Química del agua 32
- 4.2 Mantenimiento de la bomba 32

Sección 5. Piezas de servicio y reparación 32

Sección 6. Resolución de problemas..... 33

Sección 7. Datos técnicos 33

REGISTRO DE INFORMACIÓN DEL EQUIPO

FECHA DE INSTALACIÓN _____

INFORMACIÓN DEL INSTALADOR _____

LECTURA INICIAL DEL MANÓMETRO (CON FILTRO LIMPIO) _____

MODELO DE BOMBA _____

CABALLOS DE FUERZA _____

NOTAS: _____

Sección 1. INSTRUCCIONES IMPORTANTES DE SEGURIDAD

LEA Y SIGA TODAS LAS INSTRUCCIONES

Todos los trabajos deben ser realizados por un electricista matriculado o un profesional en piscinas cualificado y deben cumplir con todos los códigos nacionales, estatales y locales. Cuando se instale y utilice este equipo eléctrico, se deberán seguir siempre las siguientes precauciones básicas de seguridad:

ADVERTENCIA

PELIGRO DE ATRAPAMIENTO POR SUCCIÓN, QUE, SI NO SE EVITA, PUEDE PROVOCAR LESIONES GRAVES O INCLUSO LA MUERTE. No bloquee la succión de la bomba, ya que esto puede provocar lesiones graves o la muerte. No utilice esta bomba para piscinas infantiles, piscinas de poca profundidad o hidromasajes que contengan drenaje en el fondo. Los conjuntos de salida (drenaje) de succión y sus cubiertas deben estar certificados según la edición publicada más recientemente de ANSI®/ASME® A112.19.8, o su norma sucesora, ANSI/APSP-16.

ADVERTENCIA

Para reducir el riesgo de lesiones, no permita que los niños usen este producto. Todos los componentes de este sistema, como las bombas, los filtros y los calentadores, etc., deben posicionarse de modo tal que se evite su uso como medio de acceso a la piscina por parte de los niños pequeños.

ADVERTENCIA

Para reducir el riesgo de daños materiales o lesiones, no intente cambiar la posición de la válvula de retrolavado (multipuerto, deslizando o de flujo completo) con la bomba en funcionamiento.

ADVERTENCIA

Las bombas Polaris están impulsadas por un motor eléctrico de alto voltaje y deben ser instaladas por un electricista matriculado o certificado o por un técnico de servicio de piscinas cualificado.

ADVERTENCIA

RIESGO DE DESCARGAS ELÉCTRICAS, INCENDIOS, LESIONES PERSONALES O MUERTE. Conecte solamente a una toma de tipo conexión a tierra que esté protegida por un interruptor de circuito a tierra (GFCI) (Canadá: CLASE A). Contacte a un electricista autorizado si no puede verificar que el circuito está protegido por un GFCI. Asegúrese de que el instalador proporcione un GFCI y que sea probado regularmente. Para probar el GFCI, presione el botón de prueba. El GFCI debe interrumpir la energía. Presione el botón Reset (Restablecer). La energía debe restablecerse. Si el GFCI no funciona de esta forma, significa que tiene algún defecto. Si el GFCI interrumpe la alimentación a la bomba sin que se presione el botón de prueba, significa que hay corriente de tierra, lo que a su vez indica la posibilidad de electrocución. No utilice la bomba. Desconecte la bomba y solicite a un representante de servicio cualificado que solucione el problema antes de utilizarla.

Debido al posible riesgo de incendios, descargas eléctricas o lesiones personales, las bombas Polaris deben instalarse de conformidad con el National Electrical Code® (NEC®), Canadian Electrical Code (CEC), todos los códigos eléctricos y de seguridad locales, y la Ley de Seguridad y Salud Ocupacionales (Occupational Safety and Health Act, OSHA). Es posible solicitar ejemplares de NEC a National Fire Protection Association® (NFPA®) a través de la página www.nfpa.org o del número 617-770-3000, o contactar a su organismo gubernamental de inspección local.

ADVERTENCIA

Un equipo instalado incorrectamente puede fallar y provocar lesiones graves o daños materiales. **NO MODIFIQUE ESTE EQUIPO.**

ADVERTENCIA

Para reducir el riesgo de descarga eléctrica, reemplace los cables dañados de inmediato. Si se requiere el reemplazo del enchufe o del cable, utilice únicamente repuestos idénticos. Para reducir el riesgo de descarga eléctrica, no utilice un cable prolongador para conectar la unidad al suministro eléctrico; suministre una toma ubicada correctamente.

ADVERTENCIA

- No conecte el sistema a un sistema de agua municipal sin regular ni a ninguna otra fuente externa de agua presurizada que produzca presiones de más de 35 PSI.
- El aire atrapado en el sistema puede provocar que la tapa del filtro salga expulsada, lo que puede provocar la muerte, lesiones personales graves o daños materiales. Asegúrese de que no haya nada de aire en el sistema antes de operarlo.

ADVERTENCIA

Para minimizar el riesgo de lesiones graves o de muerte, no se deben someter el filtro ni la bomba a la prueba de presurización del sistema de tuberías.

Las normativas locales pueden requerir que el sistema de tuberías de la piscina sea sometido a una prueba de presión. Estos requisitos no suelen estar destinados a los equipos para piscinas como filtros o bombas.

Los equipos para piscinas Polaris se someten a pruebas de presión en la fábrica.

Sin embargo, si no se puede respetar la ADVERTENCIA y las pruebas de presión del sistema de tuberías deben incluir el filtro o la bomba, ASEGÚRESE DE CUMPLIR LAS SIGUIENTES INSTRUCCIONES DE SEGURIDAD:

- Verifique en su totalidad las abrazaderas, los tornillos, las tapas, los anillos de bloqueo y los accesorios del sistema para asegurar que estén correctamente instalados y fijos antes de la prueba.
- LIBERE TODO EL AIRE del sistema antes de la prueba.
- La presión de agua para la prueba NO DEBE EXCEDER LOS 35 psi.
- La temperatura del agua para la prueba NO DEBE EXCEDER LOS 100 °F (38 °C).
- Limite la prueba a 24 horas. Después de la prueba, verifique visualmente el sistema para asegurar que esté listo para su operación.

AVISO: Estos parámetros se aplican únicamente a los equipos Polaris. En el caso de equipos ajenos a Polaris, consulte al fabricante.

ADVERTENCIA

Los derrames y las emanaciones químicas pueden debilitar los equipos de la piscina/del hidromasaje. La corrosión puede provocar la falla de los filtros y de otros equipos, lo que puede provocar lesiones graves o daños materiales. No almacene productos químicos para la piscina cerca de los equipos.

PRECAUCIÓN

¡No ponga en marcha la bomba en seco! Si se hace funcionar la bomba en seco durante la cantidad de tiempo que sea, ocurrirán daños graves y podría anularse la garantía.

PRECAUCIÓN

Para su uso con piscinas permanentes por arriba del piso; también se puede utilizar en jacuzzis e hidromasajes si se incluye la marca correspondiente. No use este producto con piscinas almacenables. Las piscinas permanentes están construidas dentro del suelo o sobre él, o en un edificio de tal manera que no se pueden desmontar para su almacenamiento. Las piscinas almacenables están construidas de manera que pueden ser fácilmente desmontadas para su almacenamiento y pueden volver a montarse para que tengan su estado original.

PRECAUCIÓN

No realice la instalación dentro de un recinto exterior ni debajo del revestimiento del jacuzzi o hidromasaje portátil. La bomba requiere una ventilación adecuada para mantener una temperatura del aire menor a la temperatura ambiente máxima nominal detallada en la placa de calificaciones nominales del motor.

PRECAUCIÓN

Para evitar la falla prematura o los daños en el equipo, proteja el equipo de la exposición directa al agua de rociadores, escurrimiento de agua de techos y drenajes, etc. De lo contrario, el equipo podría fallar y, además, se podría anular la garantía.

PRECAUCIÓN

(Solo para EE. UU.): Para reducir el riesgo de descarga eléctrica, la piscina debe instalarse a más de 6 pies (1,8 m) de cualquier toma eléctrica. No coloque artefactos portátiles a menos de 6 pies (1,8 m) de la piscina. En Canadá, la distancia mínima mantenida desde el borde de la piscina o el hidromasaje según se indica arriba debe ser de 3 metros (10 pies), según lo requiere el Código Eléctrico Canadiense (CEC, CSA C22.1). Las bombas de la piscina ubicadas a menos de 3 metros (10 pies) de las paredes de la piscinas deben estar aprobadas específicamente para este fin. No entierre el cable. Ubique el cable de manera tal que se reduzcan los potenciales daños por parte de cortadoras de césped, podadoras u otros equipos.

GUARDE ESTAS INSTRUCCIONES

1.1 Pautas para la prevención de atrapamiento por la succión de la bomba



⚠ ADVERTENCIA

PELIGRO DE SUCCIÓN. Puede provocar lesiones graves o la muerte. No use esta bomba para piscinas infantiles, piscinas de poca profundidad o hidromasajes que contengan drenajes en el fondo, a menos que la bomba esté conectada por lo menos a dos (2) salidas de succión en funcionamiento.

⚠ ADVERTENCIA

La succión de la bomba es peligrosa y puede atrapar y ahogar o descuartizar a los bañistas. No use ni opere piscinas, hidromasajes ni jacuzzis si falta una cubierta de salida de succión, o está rota o floja. Las siguientes pautas proporcionan información para la instalación de la bomba que minimiza el riesgo de lesiones para los usuarios de piscinas, hidromasajes y jacuzzis:

Protección contra el atrapamiento: El sistema de succión de la bomba debe proporcionar protección contra los peligros del atrapamiento por succión.

Cubiertas de la salida de succión: Todas las salidas de succión deben tener cubiertas correctamente instaladas y atornilladas en su lugar. Todas las cubiertas de salida (drenaje) de succión deben mantenerse. Las cubiertas de drenaje deben estar incluidas/certificadas en la edición publicada más reciente de ANSI®/ASME® A112.19.8 o su norma sucesora, ANSI/APSP-16. Deben reemplazarse si están agrietadas o rotas, o si faltan.

Cantidad de salidas de succión por bomba: Cuando las salidas sean lo suficientemente pequeñas como para ser bloqueadas por una persona proporcione al menos dos (2) drenajes principales equilibrados hidráulicamente, con cubiertas, como salidas de succión para cada línea de succión de la bomba de circulación. Los centros de los drenajes principales (salidas de succión) de cualquier línea de succión individual deben estar al menos a tres (3) pies de distancia de centro a centro. Consulte la Figura 1.

El sistema **debe** construirse para incluir al menos dos (2) salidas (drenajes) de succión conectadas a la bomba siempre que la bomba esté en funcionamiento. Sin embargo, si dos (2) drenajes principales van a una única línea de succión, la única línea de succión puede estar equipada con una válvula que apague ambos drenajes principales desde la bomba. El sistema se construirá de tal modo que no permita el cierre o el aislamiento separado independiente de cada drenaje. Consulte la Figura 1.

Es posible conectar más de una (1) bomba a una única línea de succión siempre que se cumplan los requisitos anteriores.

Velocidad del agua: La velocidad máxima del agua a través del acople de succión o de la cubierta para cualquier salida de succión debe ser de 1,5 pies por segundo, a no ser que la salida cumpla con la versión más reciente de ANSI/ASME A112.19.8, o su norma sucesora, ANSI/APSP-16, la norma para acoples de succión para usarse en piscinas, piscinas infantiles, hidromasajes y jacuzzis. En cualquier caso, no supere el caudal máximo de diseño del acople de succión.

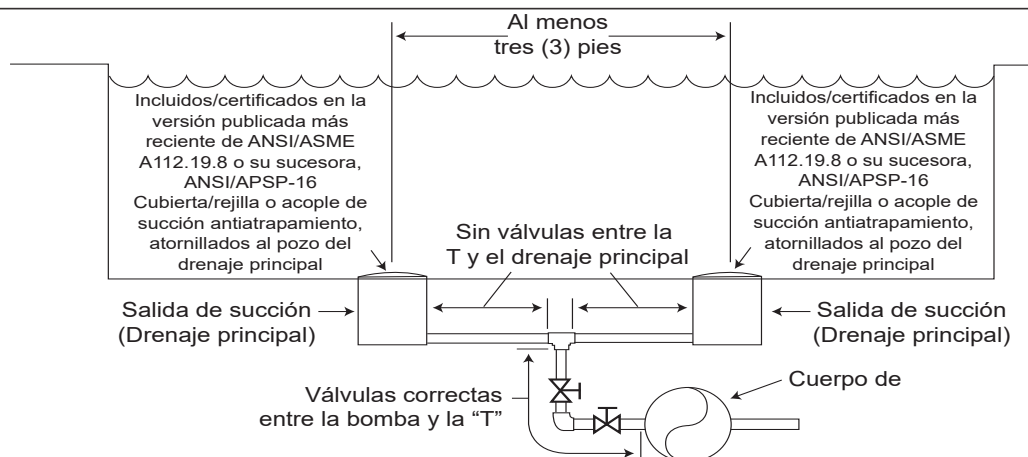
Si el 100 % del caudal de la bomba proviene del sistema de drenaje principal, la velocidad máxima del agua en el sistema hidráulico de succión de la bomba debe ser de (6) pies por segundo o menos, incluso si un (1) drenaje principal (salida de succión) está completamente bloqueado. El caudal a través de los demás drenajes principales debe cumplir con la versión más reciente de ANSI/ASME A112.19.8, o su norma sucesora, ANSI/APSP-16, la norma para acoples de succión para usarse en piscinas, piscinas infantiles, hidromasajes y jacuzzis.

Pruebas y certificación: Las cubiertas de las salidas de succión deben haber sido probadas por un laboratorio de pruebas con reconocimiento nacional y debe haberse determinado que cumplen la edición publicada más reciente de ANSI/ASME A112.19.8 o su norma sucesora, ANSI/APSP-16, la norma para acoples de succión para usarse en piscinas, piscinas infantiles, hidromasajes y jacuzzis.

Acoples: Los acoples restringen el flujo; para más eficiencia, use la menor cantidad de acoples posible (pero al menos dos [2] salidas de succión).

Evite los acoples que pueden provocar que quede aire atrapado.

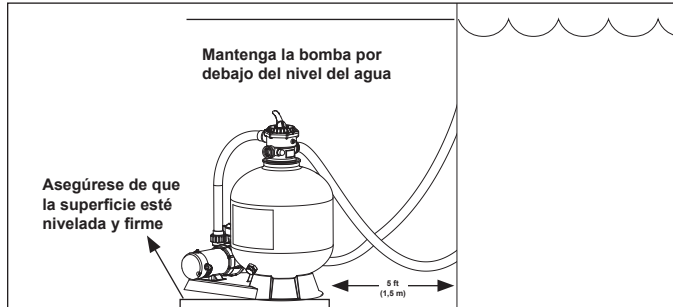
Los acoples de succión del limpiador de la piscina deben cumplir las normas vigentes de la International Association of Plumbing and Mechanical Officials (IAPMO®).



Sección 2. Instalación

2.1 Ubicación de instalación

La bomba debe estar instalada en una base o plataforma firme y nivelada. Al utilizar una base suministrada de fábrica, asegúrese de que la instalación quede nivelada y libre de vibraciones. La bomba debe instalarse debajo de la línea del agua.



Aunque la bomba está diseñada para su uso en exteriores, es recomendable que la instalación contemple lo siguiente:

- Drenaje, en dirección contraria a la bomba.
- Escurrimiento de aleros y rociadores.
- Ventilación del motor de la bomba.
- Acceso para el servicio y la preparación para el invierno en el futuro.
- Protección contra los elementos.
- Exposición al sol.

Ubique la bomba lo más cerca posible de la piscina para reducir la fricción y aumentar la eficiencia. No obstante, la bomba debe estar a un mínimo de 6 ft (1,8 m) del borde de la piscina, o separado mediante una barrera permanente. Posicione la bomba y todos los componentes del sistema de filtrado de modo tal que los niños pequeños NO puedan utilizarlos como medio de acceso a la piscina. En Canadá, la distancia mínima mantenida desde el borde de la piscina o el hidromasaje según se indica arriba debe ser de 3 metros (10 pies), según lo requiere el Código Eléctrico Canadiense (CEC, CSA C22.1). Las bombas de la piscina ubicadas a menos de 3 metros (10 pies) de las paredes de la piscinas deben estar aprobadas específicamente para este fin.

⚠ ADVERTENCIA

Para disminuir el riesgo de incendio, instale los equipos para piscinas en una zona donde no se acumulen hojas u otros residuos sobre los equipos o alrededor de ellos. Mantenga la zona circundante sin residuos como papel, hojas, agujas de pino y otros materiales combustibles.

⚠ PRECAUCIÓN

Para evitar la falla prematura o los daños en el motor de la bomba, proteja la bomba de la exposición directa al agua de rociadores, escurrimiento de agua de techos y drenajes, etc. De lo contrario, la bomba podría fallar y, además, se podría anular la garantía.

2.2 Conexiones generales

2.2.1 Conexiones mediante soldadura con solvente

Es posible usar tubo de PVC rígido o flexible. Los extremos de los tubos deben estar limpios y libres de cualquier producto de la operación de corte. Asegúrese de utilizar el adhesivo correcto en el tipo de tubo especificado.

NOTA: Un imprimador asegurará que las uniones adhesivas sean superiores. Suregard P-3000 tiene un trazador púrpura para cualificar para las áreas donde los códigos especifican el uso de un imprimador.

⚠ PRECAUCIÓN

Le recomendamos que tenga en cuenta las condiciones climáticas al aplicar adhesivos. Determinadas situaciones atmosféricas, como el alto contenido de humedad, hacen menos eficaz la acción de determinados adhesivos. Consulte las instrucciones del fabricante.

2.2.2 Conexiones roscadas

Use únicamente cinta de Teflon o equivalente en las conexiones roscadas de las tuberías. Otros compuestos de tubos pueden dañar las roscas. No recomendamos el uso de compuestos con base en silicona o vaselina.

NO APRIETE DEMASIADO. APRETAR CON LA MANO MÁS ½ GIRO ES SUFICIENTE.

2.3 Tuberías de la bomba

El tubo de succión debe ser tan grande como el tubo de descarga o más grande. Evite el uso de un tubo de succión más pequeño que la conexión de la bomba.

1. Mantenga la tubería tan recta y corta como resulte posible. Debe ser de un tamaño adecuado.
2. Evite conectar un codo directamente en la entrada de la bomba (use una longitud de tubo que permita un ingreso adecuado para el agua).
3. Sostenga el tubo de manera independiente para que no aplique tensión sobre la bomba.
4. Se recomienda que haya válvulas instaladas en las líneas de succión y de salida para evitar que se drene agua durante el servicio de la bomba. Nunca haga funcionar la bomba con las válvulas cerradas.

2.4 Datos eléctricos

- Consulte la información de la placa de identificación del motor para obtener los datos de servicio eléctrico.

⚠ PRECAUCIÓN

Si no se proporciona el voltaje de la placa de datos (+/- 10 %) durante la operación, el motor se sobrecalentará y se podría anular la garantía.

- Todos los motores deben tener un disyuntor o un interruptor de desconexión con fusible.
- Asegúrese de que el tamaño de los cables sea suficiente para los HP de la bomba y la distancia de la fuente de energía.

- Un electricista matriculado debe hacer el cableado en conformidad con los códigos aplicables.
- Conecte únicamente a una toma con protección mediante GFCI (Canadá: CLASE A).
- NO UTILICE UN CABLE PROLONGADOR.

ADVERTENCIA

Desconecte siempre la fuente de energía antes de trabajar en un motor o su carga conectada.

ADVERTENCIA

PELIGRO DE DESCARGA ELÉCTRICA. Debido al posible riesgo de incendios, descargas eléctricas o lesiones, las bombas Polaris® y cualquier carga auxiliar deben instalarse en conformidad con National Electrical Code® (NEC®), todos los códigos eléctricos y de seguridad locales y la Ley de Seguridad y Salud Ocupacionales (Occupational Safety and Health Act, OSHA). Es posible pedir ejemplares del NEC a National Protection Association, 1 Batterymarch Park, Quincy, MA 02169, o a su organismo gubernamental de inspección local.

En Canadá, las bombas Polaris deben instalarse en conformidad con Canadian Electrical Code (CEC).

2.5 Conexión equipotencial y conexión a tierra

Además de tener un conexión a tierra adecuada en conformidad con los requisitos de National Electrical Code (NEC) o, en Canadá, de Canadian Electrical Code (CEC), debe haber una conexión equipotencial entre el motor de la bomba y todas las piezas metálicas de la estructura de la piscina, el hidromasaje o el jacuzzi y todos los componentes y equipos eléctricos relacionados con el sistema de circulación de agua de la piscina/del hidromasaje. La conexión equipotencial debe hacerse con un conductor de cobre macizo n.º 8 AWG o uno más grande. En Canadá, debe usarse n.º 6 AWG o uno más grande. Haga la conexión equipotencial del motor con la terminal de conexión equipotencial externa proporcionada en el bastidor del motor. Consulte la Figura 8.

National Electrical Code® (NEC®) requiere la conexión equipotencial del agua de la piscina. Cuando ninguno de los equipos, de las estructuras o de las piezas de la piscina con conexión equipotencial están en conexión directa con el agua de la piscina, el agua de la piscina debe estar en contacto directo con una superficie conductora aprobada resistente a la corrosión que exponga no menos de 5800 mm² (9 in²) del área superficial al agua de la piscina en todo momento. La superficie conductora debe estar ubicada donde no esté expuesta a daños físicos ni a su desalojamiento durante las actividades habituales en la piscina, y debe estar conectada equipotencialmente según los requisitos de conexión equipotencial de NEC Artículo 680. Consulte los códigos aplicados localmente para cualquier requisito adicional de conexión equipotencial.

Sección 3. Puesta en funcionamiento de la bomba

3.1 Cebado

DETENGA la BOMBA y CIERRE las válvulas de succión y de salida.

1. Libere toda la presión de la bomba y del sistema de tuberías.
2. Llene el alojamiento del tamiz con agua. NUNCA haga funcionar la bomba sin agua. Si se hace funcionar la bomba “en seco” durante cualquier extensión de tiempo, pueden ocurrir daños graves en la bomba, en los sellos y en el motor, y se podría anular la garantía.
3. Inspeccione y limpie, y use únicamente lubricante de silicona para evitar daños en la junta tórica.
4. Vuelva a colocar la cubierta del tamiz y apriete con la mano únicamente.
5. Abra todas las válvulas antes de iniciar la bomba.
6. Libere todo el aire del filtro y del sistema de tuberías. Consulte las instrucciones operativas de los filtros.
7. Con las válvulas de succión y de salida abiertas y la bomba ubicada debajo de la línea de agua de la piscina, encienda la bomba y permita que la bomba se cebe.

Si la bomba no se ceba en diez minutos, detenga el motor y determine la causa. Asegúrese de que la válvulas de succión y de descarga estén abiertas. Consulte la guía de resolución de problemas para obtener instrucciones adicionales.

3.2 Puesta en funcionamiento

- Después de que la bomba se cebe, energice el motor y abra todas las válvulas de las líneas de succión y de descarga.

NOTA: Es posible que la bomba tarde un tiempo en eliminar el aire de las líneas de succión.

- Si no se observa flujo en cinco minutos, detenga el motor y vuelva a cebar. Si la bomba no funciona, busque fugas de aire. (Consulte la sección de resolución de problemas).
- Después de unos diez minutos de operación, verifique que no haya burbujas de aire en los acoples de retorno. Un flujo de aire continuo indica fugas en la línea de succión. Ubique y corrija cualquier fuga de inmediato.
- Mantenga la válvula de compuerta en la línea de succión completamente abierta durante el funcionamiento. Si resulta necesario controlar la salida, use la válvula de la línea de retorno.

PRECAUCIÓN

No vuelva a apretar el anillo de bloqueo del tamiz durante el funcionamiento. No opere la bomba con válvulas de succión o de descarga cerradas.

3.3 Bombas de velocidad única

Se recomienda con énfasis instalar un interruptor de encendido/apagado o un temporizador. Si no lo hay, la bomba funcionará constantemente. La bomba no debe desenchufarse cuando hay energía, ya que pueden producirse peligros para la seguridad, como chispas.

ADVERTENCIA

Asegúrese de que el interruptor de control, el reloj o el sistema de control estén instalados en una ubicación accesible. Así, en caso de una falla del equipo o de un acople suelto, el equipo podrá apagarse. Esta ubicación no debe estar en la misma zona de la bomba de la piscina, del filtro ni de otros equipos.

Sección 4. Preparación para el invierno

PRECAUCIÓN

La bomba **debe** protegerse cuando se esperen temperaturas por debajo del punto de congelamiento. Si se permite que la bomba se congele, se producirán daños graves y se podría anular la garantía.

PRECAUCIÓN

¡No use soluciones anticongelantes en los sistemas de la piscina, del hidromasaje o del jacuzzi! El anticongelante es extremadamente tóxico y puede dañar el sistema de circulación. La única excepción es el propilenglicol. Para obtener más información, consulte en la tienda local de suministros para la piscina/el hidromasaje o comuníquese con una empresa cualificada de servicio de piscinas.

ADVERTENCIA

RIESGO DE DESCARGA ELÉCTRICA. Desenchufe la bomba para APAGAR el suministro de energía al motor de la bomba.

1. Drene toda el agua de la bomba, de los equipos del sistema y de las tuberías.
2. Mantenga cubierto y seco el motor. No cubra la bomba con plástico porque esto creará condensación que dañará la bomba.

NOTA Después de desconectar la energía y de drenar toda el agua de la bomba, se recomienda desconectar la bomba de las tuberías y guardarla dentro.

3. Cuando vuelva a abrir el sistema para su operación, solicite a un técnico o electricista cualificado que asegure que todas las tuberías, las válvulas, los cableados y los equipos estén en conformidad con las recomendaciones del fabricante. Preste mucha atención al filtro y a las conexiones eléctricas.
4. La bomba debe cebarse antes de ponerse en marcha. Consulte la sección 3.2, Puesta en funcionamiento.

4.1 Química del agua

- Es necesario un uso correcto y uniforme de químicos para mantener un agua limpia e higiénica a fin de evitar las infecciones con gérmenes y controlar el crecimiento de algas que pueden arruinar el aspecto

y el disfrute de la piscina o del hidromasaje.

- El químico más común para un agua limpia e higiénica es el cloro. Es posible utilizar cloro (hipoclorito de calcio o de sodio) seco o líquido. Debe agregarse a diario, debido a que se disipa por la suciedad y los gérmenes y por el sol y el viento.
- Es importante mantener el nivel correcto de acidez o de alcalinidad. Un rango deseable es entre 7,2 y 7,4; el pH de la piscina en 7,0 es neutro. Las lecturas por arriba de 7,0 son alcalinas y por debajo son ácidas.

4.2 Mantenimiento de la bomba

ADVERTENCIA

Para evitar el riesgo de daños materiales, lesiones personales graves o la muerte, desenchufe el motor de la bomba para quitarle el suministro eléctrico a la bomba antes del servicio de la bomba.

- Cualquier mantenimiento debe llevarse a cabo con el disyuntor apagado.
- Los motores se lubrican automáticamente. No se requiere lubricación.
- Limpie la canasta del tamiz.
- Inspeccione visualmente el motor para detectar bloqueos de las descargas de aire en la carcasa del motor. Elimine todos los residuos.
- Los sellos del eje pueden desgastarse y deben reemplazarse si se observan fugas.

4.2.1 Mantenimiento de la canasta del tamiz

Para limpiar la bomba:

1. Apague el suministro de energía.
2. Cierre las válvulas de las líneas de succión y de retorno.
3. Extraiga el anillo de bloqueo del tamiz en sentido contrario al de las agujas del reloj y extraiga la tapa de la canasta del tamiz.
4. Levante la canasta del tamiz.
5. Limpie y vuelva a colocar la canasta. Tenga cuidado de asentar la canasta correctamente.
6. Limpie la junta tórica y utilice únicamente lubricante de silicona para evitar daños en la junta tórica.
7. Limpie los asientos de la junta tórica en la cubierta y en el tamiz.
8. Reponga la cubierta y el tamiz (solo apretado con la mano) y abra las válvulas.
9. Vuelva a poner la bomba en funcionamiento.

PRECAUCIÓN

No vuelva a apretar el tamiz durante el funcionamiento.

Sección 5. Piezas de servicio y reparación

Haga los pedidos de todas las piezas a su distribuidor. Proporcione la información siguiente al pedir repuestos:

- Datos de la placa de identificación de la unidad.
- Descripción de la pieza.

Sección 6. Resolución de problemas

Si las recomendaciones de esta sección no le resuelven sus problemas en particular, comuníquese con su distribuidor local para obtener servicio.

Síntoma	Causa posible/solución
El motor no se inicia.	<ol style="list-style-type: none"> 1. Interruptor de desconexión o disyuntor en posición de apagado 2. Fusibles fundidos o sobrecarga térmica abierta. Eje del motor bloqueado 3. Bobinados del motor quemados 4. Interruptor de puesta en funcionamiento defectuoso dentro del motor monofásico 5. Cableado desconectado o defectuoso 6. Voltaje bajo
El motor no llega a la velocidad plena.	<ol style="list-style-type: none"> 1. Voltaje bajo 2. Bobinados del motor conectados para un voltaje incorrecto en un modelo de voltaje doble
El motor se sobrecalienta (se dispara la protección).	<ol style="list-style-type: none"> 1. Voltaje bajo 2. Bobinados del motor conectados para un voltaje incorrecto en un modelo de voltaje doble 3. Ventilación inadecuada
La bomba no suministra agua	<ol style="list-style-type: none"> 1. La bomba no está cebada 2. Válvula cerrada en la línea de succión o de descarga 3. Fuga o aire en el sistema de succión 4. Obstrucción del impulsor
Baja capacidad de la bomba.	<ol style="list-style-type: none"> 1. Válvula en la línea de succión o de descarga parcialmente cerrada 2. Línea de succión o de descarga parcialmente obstruida 3. Línea de succión o de descarga demasiado pequeña 4. Bomba funcionando a velocidad reducida (ver arriba) 5. Canasta obstruida en filtro superficial o tamiz de cabello y pelusa 6. Filtro sucio 7. Obstrucción del impulsor
Baja presión de la bomba	<ol style="list-style-type: none"> 1. Bomba funcionando a velocidad reducida (ver arriba) 2. Válvula de descarga o acoples de entrada demasiado cerrados
Alta presión de la bomba	<ol style="list-style-type: none"> 1. Válvula de descarga o acoples de entrada demasiado cerrados 2. Líneas de retorno demasiado pequeñas 3. Filtros sucios
Bomba y motor ruidosos	<ol style="list-style-type: none"> 1. Canasta obstruida en filtro superficial o canasta del tamiz 2. Bobinados del motor desgastados 3. Válvula en la línea de succión parcialmente cerrada 4. Línea de succión parcialmente obstruida 5. Manguera de aspiración obstruida o demasiado pequeña 6. La bomba no está correctamente sostenida
Hay fugas de agua en la bomba entre el motor y el cuerpo de la bomba	<ol style="list-style-type: none"> 1. Esto es provocado por un sello mecánico dañado o defectuoso. Reemplace el sello
Burbujas de aire en los acoples de entrada	<ol style="list-style-type: none"> 1. Aire de fugas en la línea de succión en las conexiones o en el vástago de la válvula 2. La junta de la cubierta del tamiz de cabello y pelusa debe limpiarse 3. Restricción en la línea de succión 4. Bajo nivel de agua en la piscina

Sección 7. Datos técnicos

Modelo	GPM	HP	THP	RPM	Voltios/HZ	Amperios
PAG100 PAG100T	60	1,00	0,75	3450	115V/60HZ	9
PAG150 PAG150T	70	1,50	1,0			12

NOTAS

NOTAS

Zodiac Pool Systems LLC
2882 Whiptail Loop # 100
Carlsbad, CA 92010, EE. UU.
1.800.822.7933
polarispool.com

Zodiac Pool Systems Canada, Inc.
2-3365 Mainway, Burlington,
ON L7M 1A6, Canadá
1.800.822.7933
polarispool.ca