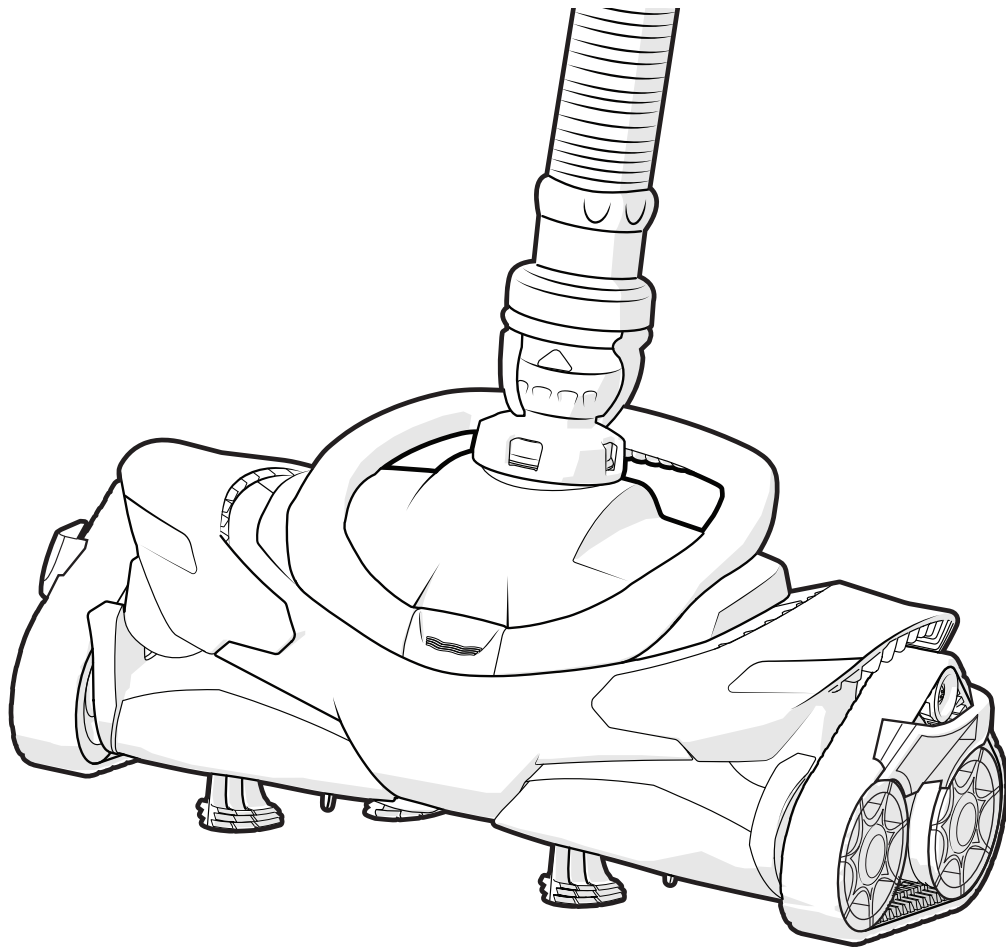


 **Polaris®**

MAXX



H0671300_REV B

OWNER'S MANUAL

English | Français | Español

Important Information

⚠ WARNING

RISK OF SUCTION ENTRAPMENT HAZARD, WHICH, IF NOT AVOIDED CAN RESULT IN SERIOUS INJURY OR DEATH. Ensure that your vacuum suction fittings installed in your pool for connection of your suction-side pool cleaner are certified as being compliant with applicable safety standards such as IAPMO SPS 4. Do not block the suction fittings with any part or your body. Do not expose your hair, loose clothing, jewelry, etc. to any suction outlet fittings in the pool/spa.



Read owner's manual completely before operating the cleaner.



Remove cleaner before entering the pool.



Do not operate outside of the pool.



Do not let children play with cleaner.



Keep hands clear from moving parts.

Notice for Vinyl Liner Pools: Before installing your pool cleaner, examine the interior of your pool carefully. If the vinyl liner is brittle or has stones, wrinkles, roots or metal corrosion in contact with the underside of the liner, or has damage to the base material or supporting walls, do not install the cleaner before having a qualified professional perform the necessary repairs or liner replacement. **Zodiac Pool Systems LLC. (Zodiac) and its affiliates and subsidiaries will not be responsible for liner damage caused by a cleaner which is in disrepair, pattern removal from a vinyl liner, or a cleaner used in a pool having an aged or deteriorated liner.** Please see Limited Warranty.

- To help prevent suction entrapment accidents, wall vacuum fittings should have a safety vac lock installed. Contact your builder or pool professional for details.
- Clean the skimmer basket, pump basket and pool filter before installing the cleaner on a regular basis thereafter.
- Always disconnect the cleaner from the pool wall or skimmer before cleaning or backwashing the pool filter. After cleaning or backwashing, let the filtration system run for at least five (5) minutes before re-connecting the cleaner.
- Remove the cleaner from the pool before chemical or shock treatments. Wait a minimum of four (4) hours after super chlorination before re-installing the cleaner.

To ensure prompt warranty service, should it be required, please:

- Complete and return the Polaris Warranty Card.
- Record your purchase information.
- Attach a copy of your purchase receipt to this document.

Date of Purchase: _____ Purchased From: _____

Serial Number (located under the hood) _____

If service is required, simply present your manual with the attached receipt at any Zodiac warranty center.

Before You Start

Congratulations on the purchase of your new cleaner. Before installing your cleaner, please check the box to ensure all parts are included (Figure 1). If any components are missing, contact:

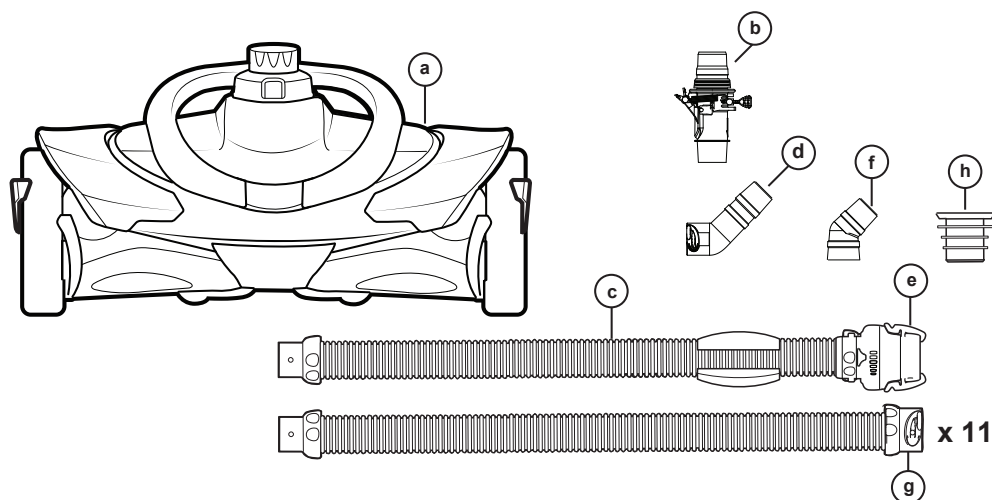
Polaris Customer Support **1-800-822-7933 (USA)**
 1-888-647-4004 (Canada)

Always insist on genuine Polaris replacement parts. Non-Polaris parts are not made to our specifications and may have an adverse effect on the operation of your cleaner, or may even damage it. Parts diagrams and list of spare parts can be found at: www.polarispool.com



Included in the Box

Cleaner Components Shipped in the Box



- | | |
|---|---------------------------------------|
| a - Cleaner Body | e - Flow Regulator Valve (FRV) |
| b - Flowkeeper™ Valve | f - 45 Degree Elbow |
| c - Leader Hose Section with Hose Float | g - Twist-Lock Hose Section |
| d - Twist-Lock 45 Degree Elbow, Extended | h - Valve Cuff |



Read the complete owner's manual before you begin installation.

Installation

STEP 1. Prepare the Pool

1. Manually vacuum the pool and make sure the pool filter and pump basket are clean.
2. Turn off the pool filter pump.
3. Close the pool main drain line.
4. Aim the return line fittings down.

WARNING

RISK OF SUCTION ENTRAPMENT HAZARD, WHICH, IF NOT AVOIDED CAN RESULT IN SERIOUS INJURY OR DEATH. Ensure that your vacuum suction fittings installed in your pool for connection of your suction-side pool cleaner are certified as being compliant with applicable safety standards such as IAPMO SPS 4. Do not block the suction fittings with any part of your body. Do not expose your hair, loose clothing, jewelry, etc. to any suction outlet fittings or hose ends in the pool/spa.

STEP 2. Assemble Hose Sections

Push and twist the connector on each hose section (g) until they lock into position with clicking sound (Figure 1). Hose cuffs have three (3) connection positions. Any of the three (3) positions are sufficient for an air-tight seal.

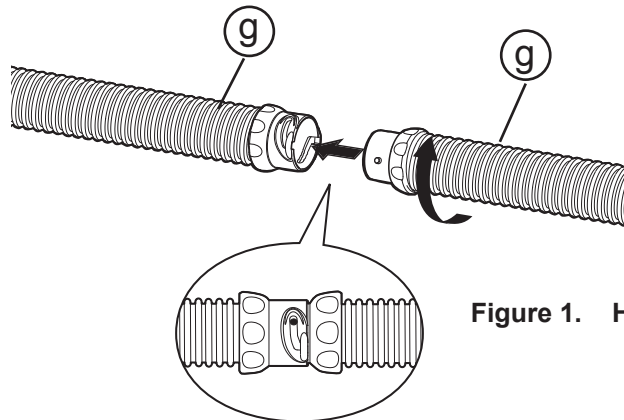


Figure 1. Hose Sections

STEP 3. Connect to a Dedicated Suction Line

1. Twist-lock the male end of the hose (g) into the large end of the extended 45° elbow (d).
2. Connect elbow to the installed Safety Vac wall fitting (sold separately).
3. Angle the elbow toward the water surface (Figure 2).

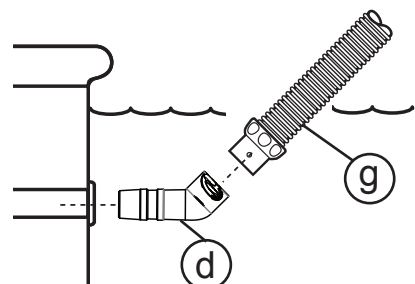


Figure 2. Dedicated Suction Line Connection

OR

Connect to a Skimmer

The FlowKeeper™ valve must always be used in single skimmer installations. The valve regulates flow to ensure the pool pump and cleaner run properly.

If the pool has more than one skimmer, connect the hose to the skimmer closest to the pump.

The parts used to connect the hose and the sequence in which they are installed depends on the type of skimmer (Figure 3).

1. Remove the skimmer basket.
2. Connect the valve cuff (h), FlowKeeper valve (b) and the 45 degree elbow (f) together. Insert the FlowKeeper valve (b) into the 45 degree elbow with arrow pointing down.
3. Push the male end of the twist-lock hose (g) to the end of the 45 degree elbow (f).
4. Insert assembly into the skimmer suction port.

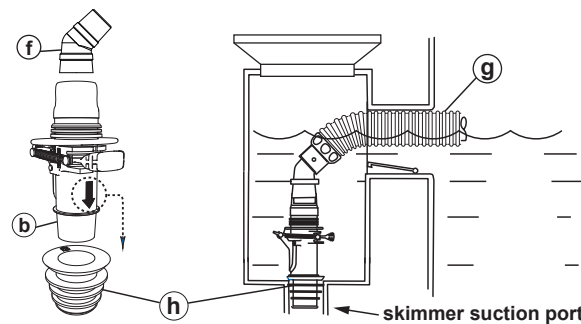
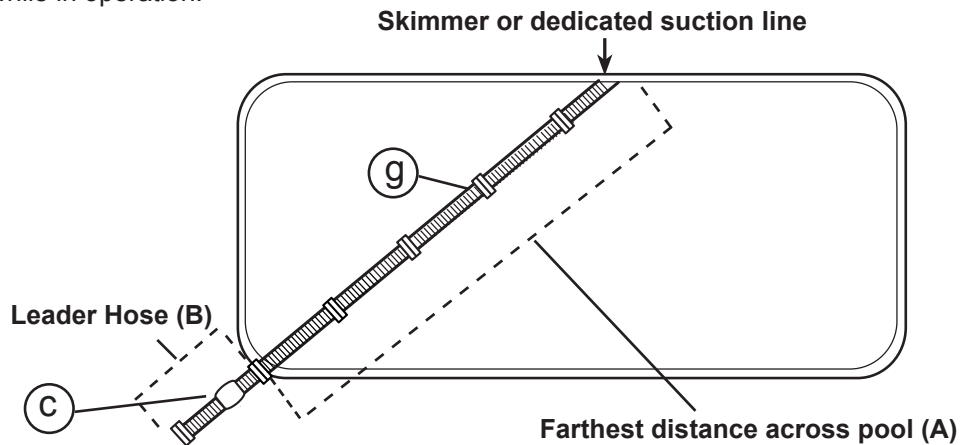


Figure 3. Skimmer Connection

STEP 4. Determine Correct Hose Length for Your Pool

1. Measure enough hose to reach the farthest point of the pool from the skimmer or dedicated suction line. Remove any additional hose sections, as necessary. See (A) in Figure 4, below.
2. Next attach the leader hose (c) to the end where the cleaner head will be connected. See (B) in Figure 4 below. The extra length allows the cleaner to reach the far point in the pool if a loop forms while in operation.



Total Hose Length Required = (A) Farthest distance across pool + (B) Leader Hose

Figure 4. Determine Correct Hose Length

STEP 5. Connect the Cleaner

1. Ensure that the flow regulator valve (FRV) (e) is attached to the leader hose (c). The leader hose is the hose section with the foam float pre-attached. (Figure 5).
2. Submerge the hose and flood with water (no bubbles visible).
3. Submerge the cleaner and flood with water (no bubbles visible).
4. Connect the hose to the cleaner head by pushing the flow regulator valve onto the cleaner.
5. Allow the cleaner to sink to the bottom of the pool.

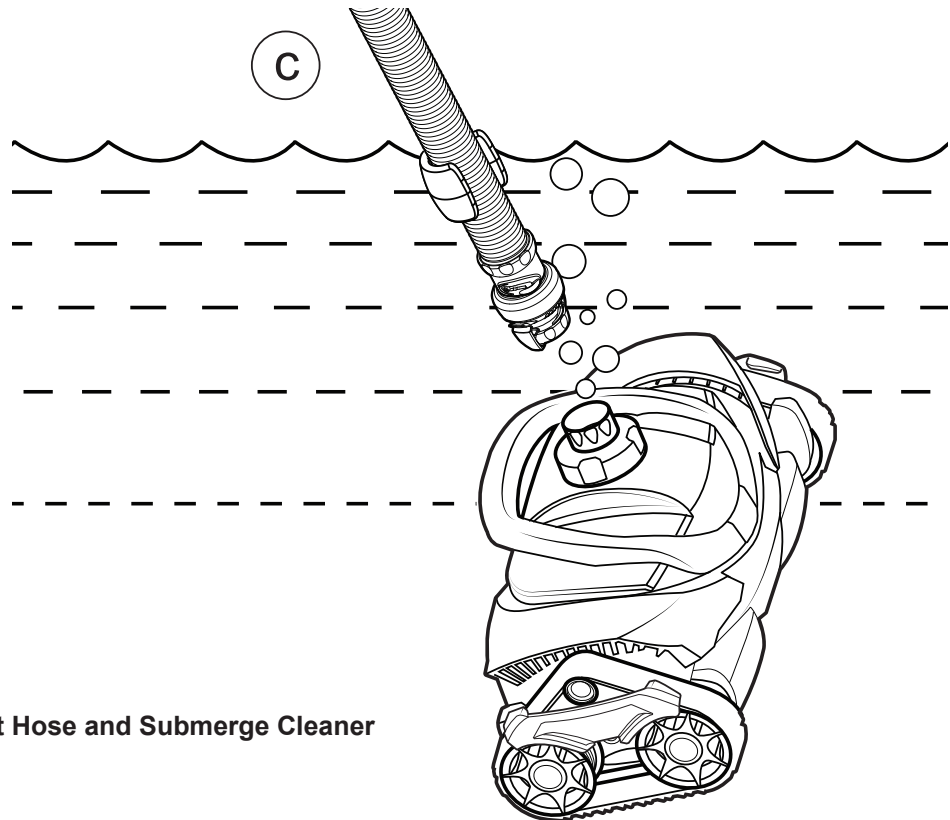


Figure 5. Connect Hose and Submerge Cleaner

STEP 6. Test for Proper Flow

⚠ WARNING

To avoid serious injury, make sure to turn off the suction pump that is responsible for the pool cleaner operation. Do not expose your hair, loose clothing, jewelry, etc. to the open end of the hose.

The flow regulator valve is designed to consistently limit high flow of water through the cleaner. When flow is correct, the cleaner components are less susceptible to damage and the life of the cleaner can be extended. Wheel rotation speed is a good indicator of how much water is flowing through the cleaner. By checking for proper wheel rotation timing, you can verify the cleaner is operating at maximum efficiency.

Time Wheel Rotations

1. Turn on the pool filter pump.
2. Obtain a stopwatch or timer.
3. Leaving the pump on and water flowing through the cleaner, bring the cleaner to the surface of the water and hold it fully submerged just below the water line.
4. Locate the wheel speed indicator on the rear right wheel (Figure 6).
5. Note how many seconds it takes to complete 10 rotations. If the wheels change direction during the rotation count, wait and restart your count.

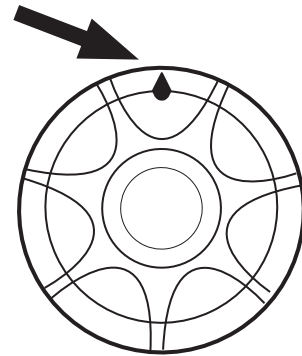


Figure 6. Wheel Speed Indicator

If the count is within 20 - 25 seconds, no adjustment is necessary.

• **20 - 25 seconds --- Optimal Flow**

STEP 7. Adjust Flow to the Cleaner (If Necessary)

1. Adjust the flow if it is not within the optimal wheel speed range. If the count is:
 - **26 - 50 seconds --- Increase Flow (+)** --- cleaner moving too slow and needs additional flow
 - **10 - 19 seconds --- Decrease Flow (-)** --- cleaner moving too fast and could be damaged
2. To increase or decrease flow, adjust flow via one of the following methods:
 - Valves at the equipment pad for a dedicated suction line.
 - Flowkeeper valve at the skimmer for skimmer installation (Figure 7).
 - Pump speed (variable speed pumps only).

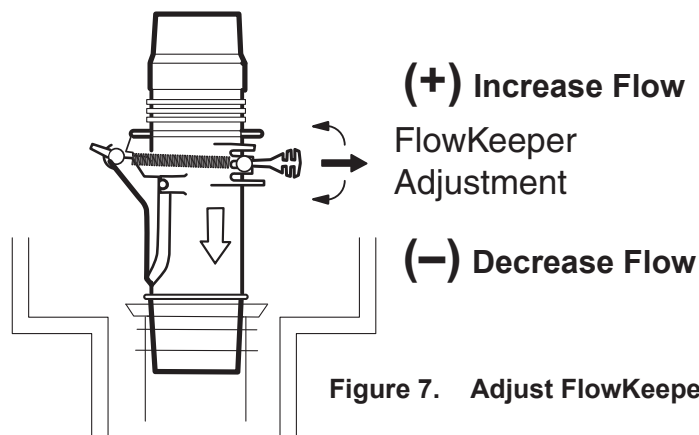


Figure 7. Adjust FlowKeeper™ Valve

Operation and Maintenance

Daily Operation

The cleaner cycles on/off with the pool filtration pump, vacuuming and cleaning all surfaces randomly throughout the pool. The climbing ability of the cleaner is dependent on the pool's shape and available water flow. If the cleaner is not climbing pool walls, ensure the flow is correct by checking the wheel speed. Also, ensure the pool surface is not covered in algae as this slippery surface will affect traction.

During each coverage pattern cycle, the cleaner travels both forward and backwards, and pivots to the right and left. The turbines underneath the cleaner create down force for climbing and stability as well as directing debris into the cleaner mouth. The scrubbing brushes also make contact with the pool floor to agitate and remove small stuck-on debris.

Cleaner Vacuum Modes

Your cleaner is designed to operate with two vacuum options:

- **Large debris:** For vacuuming large debris, such as leaves. It is recommended that you return the cleaner to small debris factory setting after large debris cleaning.
- **Small debris (factory setting):** For vacuuming smaller and heavy debris, such as sand, silt and small stones. The pool cleaner is sent from the factory in this mode.

⚠ WARNING

To avoid serious injury, make sure that the cleaner is disconnected from the hose and the suction pump used for the cleaner is turned off prior to starting this operation.

Convert to large debris cleaning mode:

1. Locate slot on underside of cleaner. Insert a flat tool into the inlet adapter (Figure 8).
2. Lift up the inlet adapter and then pull it out of the vacuum inlet.

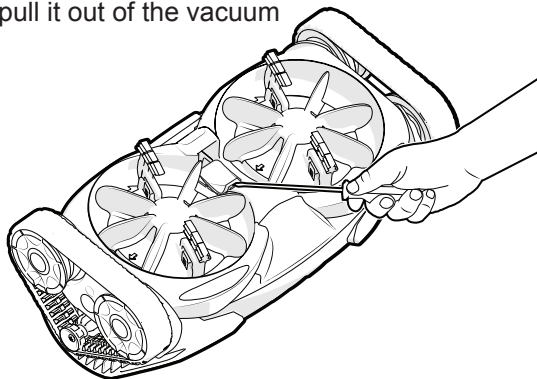


Figure 8. Remove Modular Inlet Adapter

Convert back to small debris cleaning mode:

1. Place the modular inlet adapter in the vacuum inlet of the pool cleaner.
2. Push down on the modular inlet adapter until it clicks into place (Figure 9).

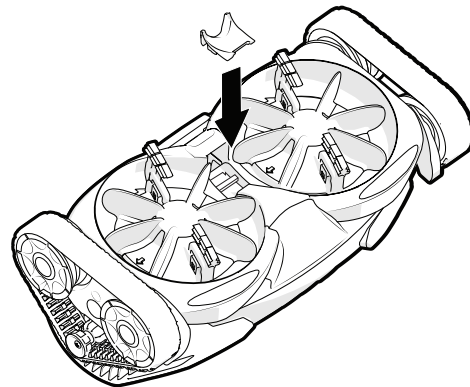


Figure 9. Replace Modular Inlet Adapter

Routine Maintenance

To ensure correct operation and extend the life of your cleaner:

1. Empty the Pump Basket Regularly

For the cleaner to operate at highest efficiency, empty the pump basket regularly. The more debris in the pool, the more often the pump basket should be cleared.

NOTE: Polaris offers an in-line leaf canister which maintains flow while catching debris, and reduces debris from reaching the pump filter basket.

2. Remove Debris from Engine

⚠ WARNING

To avoid serious injury, make sure that the cleaner is disconnected from the hose and the suction pump used for the cleaner is turned off prior to starting this operation.

1. Push the latch release button on the top of the cleaner (Figure 10) to open the cover.
2. Open the lid and inspect the engine. Remove any debris.
3. If necessary, pull the engine by the engine blades and remove it. No tools required (Figure 11).
4. Reinstall the engine. Make sure the engine is positioned with the large wheel on the right side (marked A) when reinstalling.
5. Close engine cover and ensure the latch clicks in place.

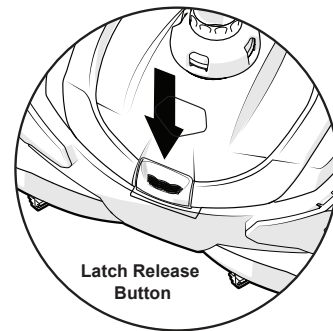


Figure 10. Latch Release Button

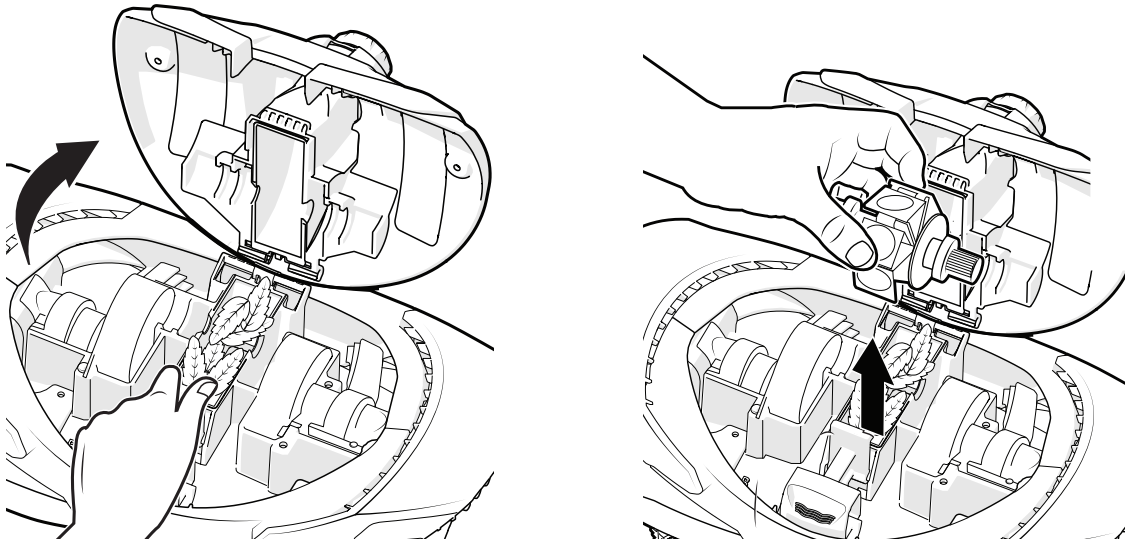


Figure 11. Remove the Engine

3. Clean or Backwash the Pool Filter

Always disconnect the cleaner from the pool wall before cleaning or backwashing the pool filter. After cleaning or backwashing, let the filtration system run for at least five (5) minutes to flush out the suction lines before re-connecting the cleaner.

4. Adding Chemicals

Remove the cleaner from the pool for at least four (4) hours when adding chemicals.

5. Replace Brushes Regularly

To maintain optimal cleaning, it is recommended to replace scrubbing brushes each season or when significant wear is visible (Figure 12). To remove brushes, squeeze the plastic clip between two fingers and pull out. Type of pool surface may also increase rate of wear to brushes.

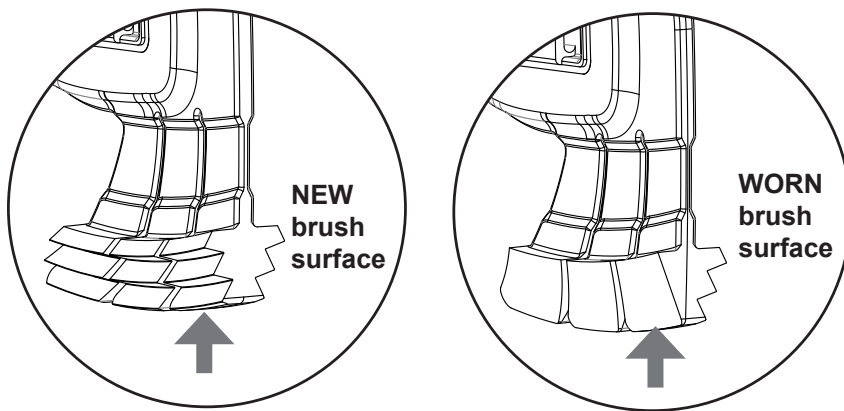


Figure 12. Inspect the Brushes

6. Storage

Never store the cleaner in direct sunlight. Do not coil the hose.

Hose may develop a memory which can affect cleaner performance. Store the cleaner on its side or back to avoid damage to turbine (all models) and brushes (Figure 13).

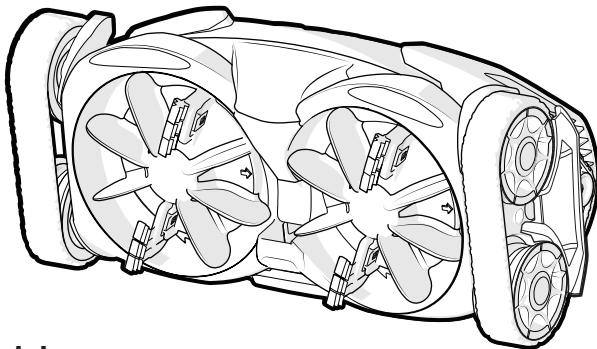


Figure 13. Store Cleaner on its Side

7. Winterizing

Before storing for winter, drain out all the water (freeze damage is not covered by the warranty). Remove all connectors and adapters from the dedicated suction line or skimmer. Disassemble the hoses and lay flat.

Troubleshooting

If you experience a problem with your Polaris cleaner, please follow the troubleshooting steps below to restore performance. If further assistance is required, contact Polaris Technical Support at (800) 822-7933.

Problem	Solution
Cleaner does not move or moves slowly.	<ul style="list-style-type: none"> • Confirm that the main drain is closed. • Check wheel speed to verify proper flow. Refer to section, "Check for Proper Flow." • Check to see if any interior teeth of the tracks are worn. If so, contact your dealer for replacement tracks. • Clean or backwash filter and empty pump basket. • Check for debris caught in the engine. Refer to section, "Remove Debris from Engine". • Switch cleaner to large debris cleaning mode. Refer to section, "Cleaner Vacuum Modes". • Check for air in system. If water level in pump basket drops or you see excessive air bubbles in the pump basket or coming from the return lines, there is air in the system. Check hose connections, tighten all fittings at pump and check o-ring at pump basket for wear. • For skimmer installations, check the Flowkeeper™ to make sure that it can move freely with the water flow.
Cleaner pattern does not cover entire pool.	<ul style="list-style-type: none"> • Confirm proper hose length for your pool. Refer to section, "Determine Correct Hose Length." • Count wheel rotations to verify proper flow. Refer to section, "Check for Proper Flow". Adjust flow if necessary. • Ensure return line fittings are directed downward. Add a return diverter if necessary. • Make sure hose is not kinked or coiled. Lay in sun to straighten if necessary. • Verify hose float is positioned approximately 9" from cleaner head on the leader hose (c/g). • Observe cleaner for more than five (5) minutes and ensure that each drive track is periodically reversing direction. If it is not, contact dealer or service center for help.
Cleaner gets stuck at steps.	<ul style="list-style-type: none"> • Observe cleaner for more than five (5) minutes and ensure that each drive track is periodically reversing direction. If it is not, contact you dealer or service center for help. • Ensure the swivel on top of the cleaner rotates freely. • Count wheel rotations to verify proper flow. Refer to section, "Check for Proper Flow". Adjust flow if necessary. • Confirm proper hose length for your pool. Refer to section, "Determine Correct Hose Length."
Cleaner won't climb walls.	<ul style="list-style-type: none"> • Count wheel rotations to verify proper flow. Refer to section, "Check for Proper Flow". Adjust flow if necessary. • Verify hose float is positioned approximately 9" from cleaner
Cleaner riding on its side.	<ul style="list-style-type: none"> • Verify hose float is positioned approximately 9" from cleaner.



© 2021 Zodiac Pool Systems LLC. All rights reserved. Polaris® and the 3-wheeled cleaner design are registered trademarks of Zodiac Pool Systems LLC. All other trademarks referenced are the property of their respective owners.

© 2021 Zodiac Pool Systems LLC. Todos los derechos reservados. Polaris® y el diseño de limpiafondos de tres ruedas son marcas registradas de Zodiac Pool Systems LLC. Las demás marcas mencionadas en esta guía son propiedad de sus respectivos propietarios.

© 2021 Zodiac Pool Systems LLC. Tous droits réservés. Polaris® et la conception de nettoyeur à 3 roues sont des marques déposées de Zodiac Pool Systems LLC. Toutes les autres marques de commerce citées dans le présent document appartiennent à leurs propriétaires respectifs.

Zodiac Pool Systems LLC

2882 Whiptail Loop # 100
Carlsbad, CA 92010
1.800.822.7933
polarispool.com

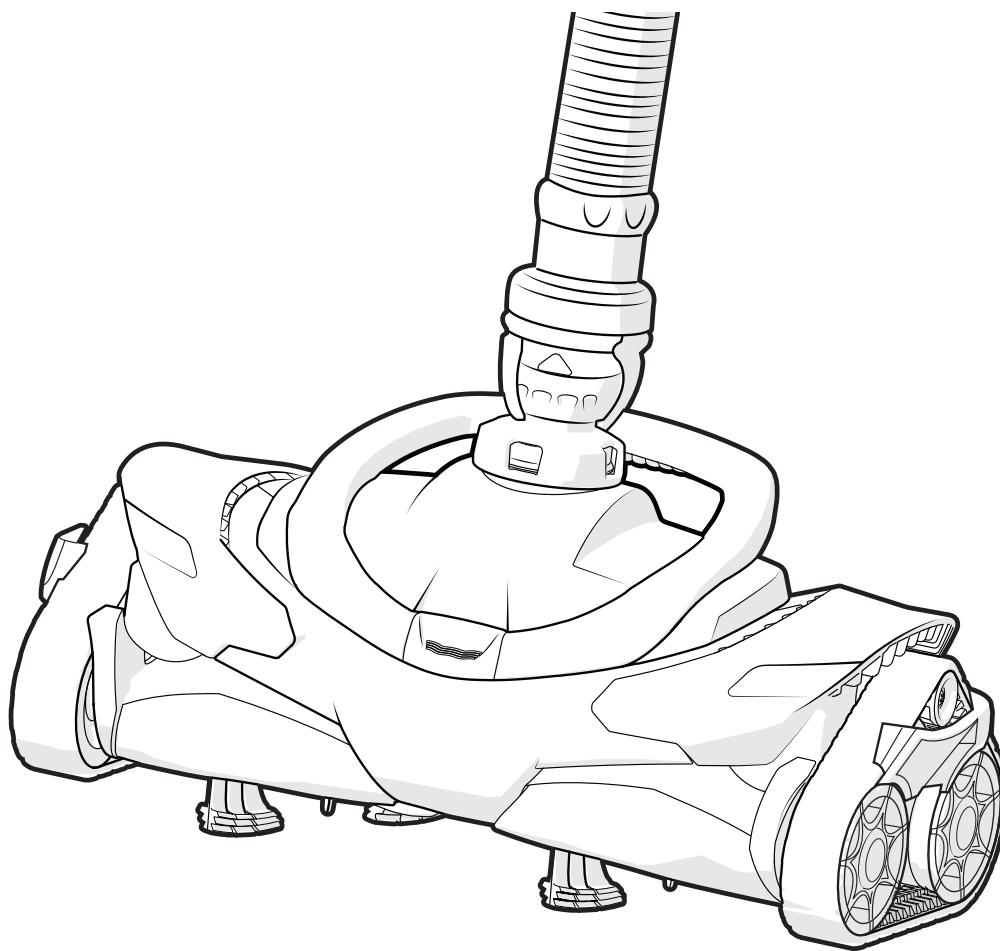
Zodiac Pool Systems Canada, Inc.

2-3365 Mainway, Burlington
ON L7M 1A6
1.800.822.7933
ZodiacPoolSystems.ca

H0671300_REVB

 **Polaris**[®]

MAXX



H0671300_REV B

MANUEL DU PROPRIÉTAIRE

Français

Informations importantes

AVERTISSEMENT

RISQUE D'EFFET D'ASPIRATION QUI, S'IL N'EST PAS ÉVITÉ, PEUT CAUSER DES BLESSURES GRAVES OU MORTELLES. Assurez-vous que les raccords d'aspiration installés dans votre piscine et destinés à être reliés à l'aspirateur sont certifiés conformes aux normes de sécurité applicables, telles que la norme IAPMO SPS 4. N'obstruez pas les raccords d'aspiration avec un quelconque objet ou votre corps. N'exposez pas vos cheveux, vêtements amples, bijoux, etc. aux raccords d'aspiration dans la piscine/spa.



Veillez lire attentivement le manuel du propriétaire avant d'utiliser l'aspirateur.



Retirez l'aspirateur avant d'entrer dans la piscine.



N'utilisez pas l'aspirateur à l'extérieur de la piscine.



Ne laissez pas les enfants jouer avec l'aspirateur.



Gardez les mains éloignées des parties mobiles.

Remarque relative aux piscines avec revêtement en vinyle : Avant d'installer votre aspirateur de piscine, veuillez examiner l'intérieur de votre piscine avec soin. Si le revêtement en vinyle est fragile ou présente du gravier, des plis, des racines ou de la corrosion sur sa face interne ou si le matériau de base ou les parois porteuses sont endommagés, n'installez pas l'aspirateur avant qu'un professionnel qualifié ne procède aux réparations ou au remplacement du revêtement nécessaires. **Zodiac Pool Systems LLC. (Zodiac), ses sociétés affiliées et ses filiales ne seront pas responsables des dommages causés au revêtement par un aspirateur en mauvais état, par l'enlèvement des motifs d'un revêtement en vinyle ou par un aspirateur utilisé dans une piscine dont le revêtement est vieilli ou détérioré.** Veuillez consulter la garantie limitée.

- Afin d'éviter les accidents par aspiration, les raccords d'aspiration muraux devraient être équipés d'un verrou de sécurité. Contactez votre installateur ou votre spécialiste des piscines pour de plus amples informations.
- Nettoyez le panier de l'écumoire, le préfiltre et le filtre de piscine avant d'installer l'aspirateur, puis à intervalles réguliers après installation.
- Débranchez toujours l'aspirateur de la paroi de la piscine ou de l'écumoire avant de procéder à tout nettoyage ou lavage à contre-courant du filtre de piscine. Après le nettoyage ou le lavage à contre-courant, laissez le système de filtration fonctionner pendant au moins cinq (5) minutes avant de rebrancher l'aspirateur.
- Sortez l'aspirateur de la piscine avant tout traitement chimique ou traitement-choc. Avant de réinstaller l'aspirateur, patientez au moins quatre (4) heures après une surchloration.

Pour assurer la diligence du service de garantie, si besoin est, veuillez :

- Remplir et renvoyer la carte de garantie de Zodiac.
- Enregistrer les informations relatives à votre achat.
- Joindre une copie de votre reçu d'achat à ce document.

Date d'achat : _____ Revendeur : _____

Numéro de série (situé sous le capot) _____

Si un entretien est nécessaire, il suffit de vous présenter dans tout centre de garantie Polaris muni de votre manuel du propriétaire et du reçu joint.

Avant de commencer

Félicitations pour l'achat de votre nouvel aspirateur. Avant d'installer votre aspirateur, veuillez vous assurer que toutes les pièces se trouvent dans la boîte (figure 1). S'il y a des pièces manquantes, veuillez contacter :

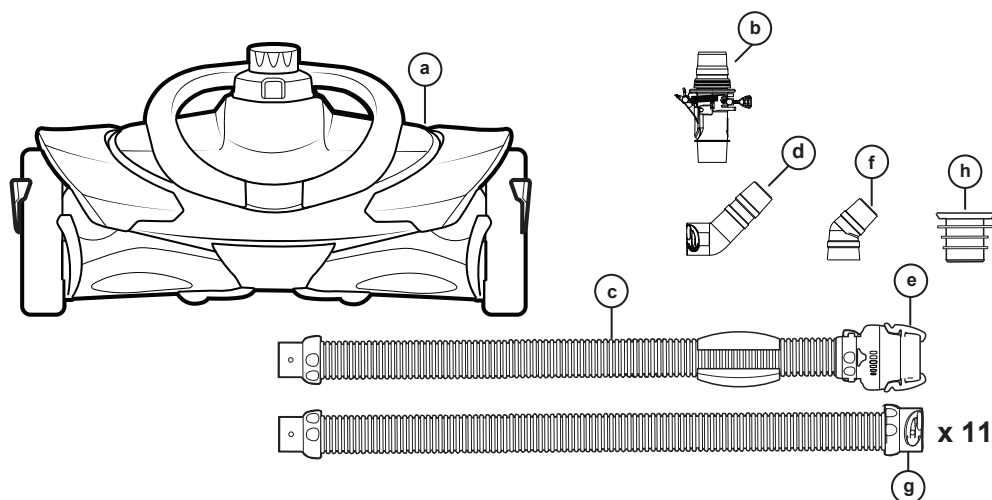
Service à la clientèle Polaris **1 800 822-7933 (É.-U.)**
1 888 647-4004 (Canada)

Exigez toujours des pièces de rechange Polaris d'origine. Les pièces de rechange qui ne sont pas fabriquées par Polaris ne sont pas conformes à nos spécifications et peuvent avoir un impact défavorable sur le fonctionnement de votre aspirateur ou même l'endommager. Le schéma des pièces et la liste des pièces de rechange peuvent être trouvés sur le site Web : www.polarispool.com



Contenu de la boîte

Composants de l'aspirateur expédiés dans la boîte



- | | |
|--|--|
| a - Corps de l'aspirateur | e - Soupape de régulation de débit |
| b - Soupape FlowKeeper ^{MC} | f - Coude à 45 degrés |
| c - Section du boyau principal avec flotteur pour boyau | g - Section du boyau à verrouillage rotatif |
| d - Coude à 45 degrés à verrouillage rotatif, allongé | h - Embout annelé de soupape |



Veillez lire le manuel du propriétaire en entier avant de commencer l'installation.

Installation

ÉTAPE 1. Préparation de la piscine

1. Nettoyez la piscine manuellement à l'aide d'un aspirateur et assurez-vous que le préfiltre et le filtre de piscine sont propres.
2. Éteignez la pompe du filtre de piscine.
3. Fermez la conduite d'évacuation principale de la piscine.
4. Alignez le raccord pour conduit de retour vers le bas.



AVERTISSEMENT

RISQUE D'EFFET D'ASPIRATION QUI, S'IL N'EST PAS ÉVITÉ, PEUT CAUSER DES BLESSURES GRAVES OU MORTELLES. Assurez-vous que les raccords d'aspiration installés dans votre piscine et destinés à être reliés à l'aspirateur sont certifiés conformes aux normes de sécurité applicables, telles que la norme IAPMO SPS 4. N'obstruez pas les raccords d'aspiration avec un quelconque objet ou votre corps. N'exposez pas vos cheveux, vêtements amples, bijoux, etc. aux raccords d'aspiration ou aux extrémités du boyau dans la piscine/spa.

ÉTAPE 2. Assemblage des sections du boyau

Poussez et tournez les connecteurs sur chaque section du boyau (g), jusqu'à ce qu'ils se verrouillent en position et que vous attendiez un déclic (figure 1). Les collets du boyau sont dotés de trois (3) positions de raccordement. Chacune des trois (3) positions est suffisante pour un scellement hermétique.

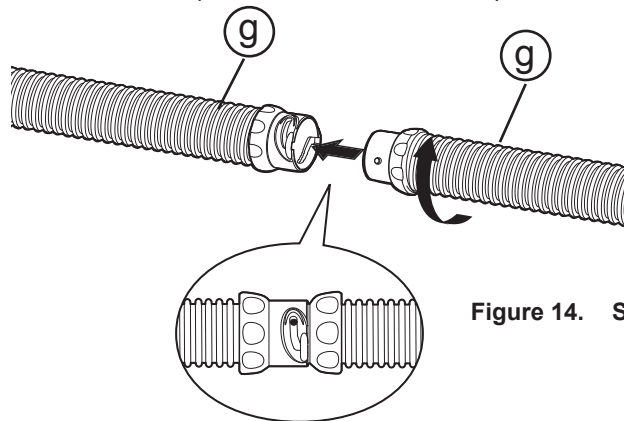


Figure 14. Sections du boyau

ÉTAPE 3. Raccordement à une conduite d'aspiration dédiée

1. Verrouillez, par un mouvement de torsion, l'extrémité mâle du boyau (g) dans l'extrémité la plus large du coude à 45° allongé (d).
2. Raccordez le coude au raccord d'aspiration mural de sécurité (vendu séparément).
3. Alignez le coude vers la surface de l'eau (figure 2).

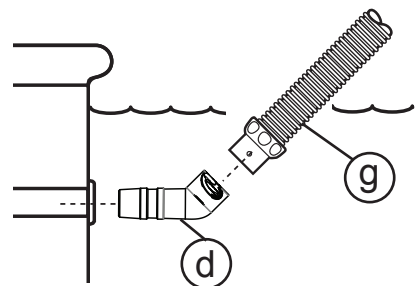


Figure 15. Raccordement à une conduite d'aspiration dédiée

OU**Raccordez à une écumoire**

La soupape FlowKeeper^{MC} doit toujours être utilisée dans le cas d'installations à écumoire unique. La soupape régule le débit afin de garantir le bon fonctionnement de la pompe et de l'aspirateur de piscine.

Si la piscine est équipée de plus d'une écumoire, raccordez le boyau à l'écumoire la plus près de la pompe.

Les pièces utilisées pour raccorder le boyau, et l'ordre de leur installation dépendent du type d'écumoire (figure 3).

1. Retirez le panier de l'écumoire.
2. Raccordez ensemble l'embout annelé de soupape, la soupape FlowKeeper (b) et le coude à 45 degrés (f). Insérez la soupape FlowKeeper (b) dans le coude à 45 degrés, les flèches dirigées vers le bas.
3. Poussez l'extrémité mâle du boyau à verrouillage rotatif (g) vers l'extrémité du coude à 45 degrés (f).
4. Insérez l'assemblage dans le port d'aspiration de l'écumoire.

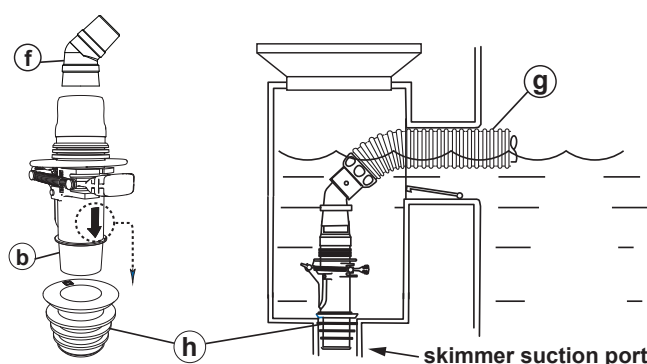


Figure 16. Raccordement de l'écumoire

ÉTAPE 4. Déterminer la bonne longueur du boyau de votre piscine

1. Mesurez suffisamment de boyaux pour atteindre le point le plus éloigné de la piscine à partir de l'écumoire ou de la conduite d'aspiration dédiée. Retirez toute section du boyau en surplus, au besoin. Consultez (A) de la figure 4, ci-dessous.
2. Par la suite, fixez le boyau principal (c) à l'extrémité, là où la tête de l'aspirateur sera raccordée. Consultez (B) de la figure 4 ci-dessous. La longueur excédentaire du boyau permet à l'aspirateur d'atteindre le point le plus éloigné de la piscine, si une boucle venait à se former lors du fonctionnement.

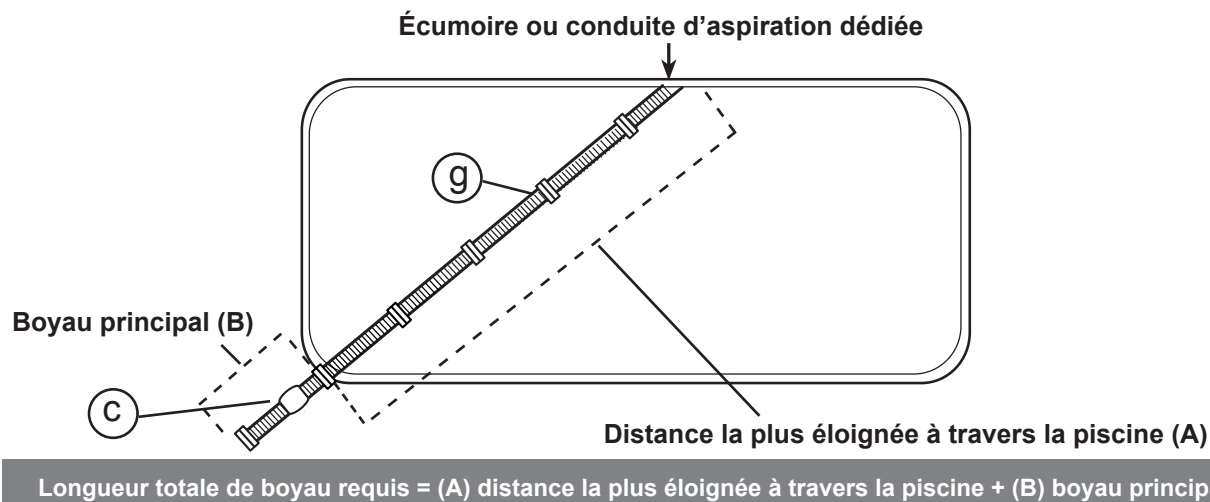


Figure 17. Déterminer la bonne longueur du boyau de piscine

ÉTAPE 5. Raccordement de l'aspirateur

1. Assurez-vous que la soupape de régulation de débit (e) est fixée au boyau principal (c). Le boyau principal est la section du boyau avec le flotteur en mousse préattaché (Figure 5).
2. Submergez le boyau et inondez-le avec de l'eau (aucune bulle visible).
3. Submergez l'aspirateur et inondez-le avec de l'eau (aucune bulle visible).
4. Raccordez le boyau à la tête de l'aspirateur en poussant la soupape de régulation de débit sur l'aspirateur.
5. Laissez l'aspirateur glisser dans le fond de la piscine.

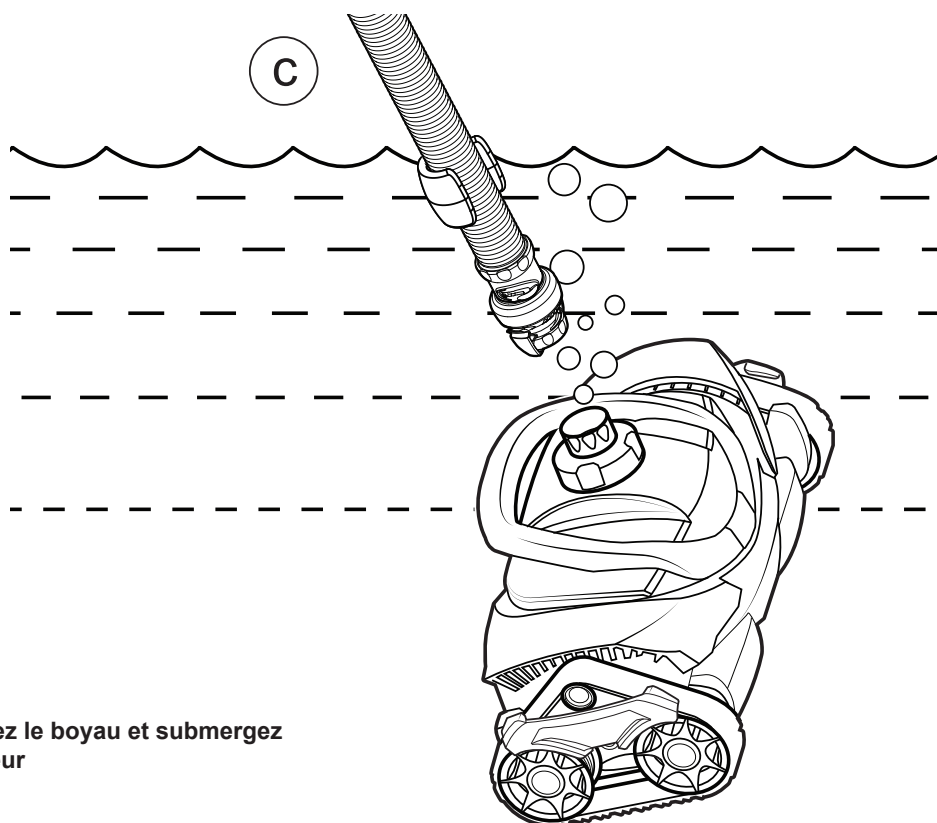


Figure 18. Raccordez le boyau et submergez l'aspirateur

ÉTAPE 6. Vérifier pour un débit adéquat

⚠ AVERTISSEMENT

Pour prévenir des blessures graves, assurez-vous d'éteindre la pompe d'aspiration qui contrôle le fonctionnement de l'aspirateur. N'exposez pas vos cheveux, vêtements amples, bijoux, etc. aux extrémités ouvertes du boyau.

La soupape de régulation de débit est conçue de manière à limiter constamment le débit élevé d'eau dans l'aspirateur. Lorsque le débit est adéquat, les composants de l'aspirateur sont moins susceptibles d'être endommagés, et la durée de vie utile de l'aspirateur peut être prolongée. La vitesse de rotation des roulettes est un bon indicateur de la quantité d'eau qui circule dans l'aspirateur. En vérifiant le temps de rotation des roulettes, vous pouvez vous assurer que l'aspirateur fonctionne avec une efficacité maximale.

Chronométrer la rotation des roulettes

1. Activez la pompe du filtre de piscine.
2. Procurez-vous un chronomètre ou une minuterie.
3. En laissant la pompe en marche et en laissant l'eau circuler dans l'aspirateur, remontez l'aspirateur à la surface de l'eau et maintenez-le complètement immergé juste sous la ligne de flottaison.
4. Repérez l'indicateur de vitesse sur la roulette arrière droite (figure 6).
5. Notez combien de secondes il faut pour effectuer 10 rotations. Si les roulettes changent de direction pendant le décompte des rotations, attendez et recommencez votre décompte.

Si le décompte se fait dans les 20 à 25 secondes, aucun ajustement n'est nécessaire.

• 20 à 25 seconds --- Débit optimal

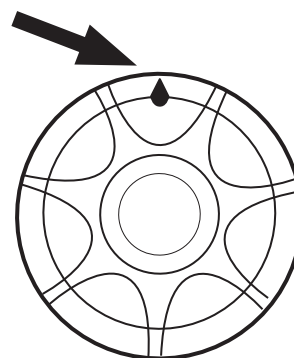


Figure 19. Indicateur de vitesse des roulettes

ÉTAPE 7. Réglage du débit de l'aspirateur (au besoin)

1. Si le débit de l'aspirateur ne se trouve pas dans la plage de vitesse optimale des roulettes, ajustez-le. Le décompte est :
 - **26 à 50 secondes --- Augmenter le débit (+)** --- l'aspirateur se déplace trop lentement et nécessite un débit accru
 - **10 à 19 secondes --- Réduire le débit (-)** --- l'aspirateur se déplace trop rapidement et pourrait être endommagé
2. Pour augmenter ou réduire le débit, il suffit d'ajuster le débit par l'une des méthodes suivantes :
 - Les soupapes au bloc d'équipements pour une conduite d'aspiration dédiée.
 - Soupape Flowkeeper à l'écumoire, pour l'installation de l'écumoire (figure 7).
 - Vitesse de la pompe (pompe à vitesse variable uniquement).

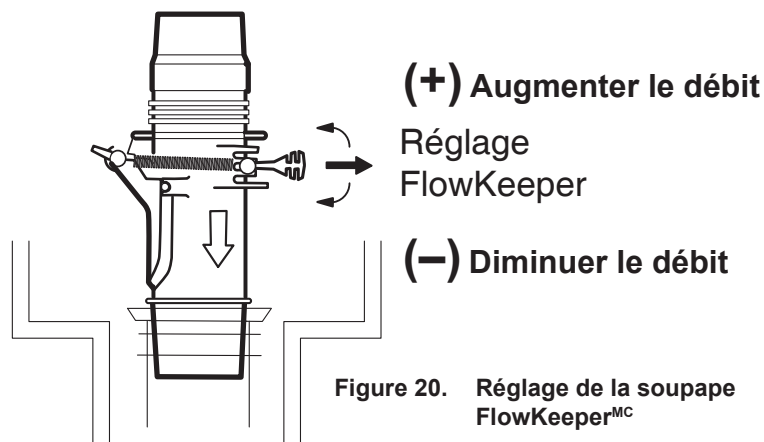


Figure 20. Réglage de la soupape FlowKeeper^{MC}

Fonctionnement et entretien

Fonctionnement quotidien

L'aspirateur démarre et s'arrête en même temps que la pompe de filtration de la piscine, aspirant et nettoyant toutes les surfaces de la piscine de façon aléatoire. La capacité de l'aspirateur à graver les parois dépend de la forme de la piscine et du débit d'eau disponible. Si l'aspirateur ne grave pas les parois de la piscine, assurez-vous que le débit est adéquat en vérifiant la vitesse des roulettes. De plus, veuillez vous assurer que la surface de la piscine n'est pas recouverte d'algues, puisque cette surface glissante affectera la traction de l'aspirateur.

Au cours de chaque cycle de nettoyage, l'aspirateur se déplace de l'avant vers l'arrière et pivote vers la droite et la gauche. Les turbines sous l'aspirateur créent une force descendante pour l'ascension et la stabilité, et dirigent les débris dans la bouche d'aspiration de l'aspirateur. Les brosses de nettoyage entrent également en contact avec le fond de la piscine pour agiter et enlever les petits débris qui y sont collés.

Modes d'aspiration de l'aspirateur

Votre aspirateur est conçu pour fonctionner avec deux modes d'aspiration :

- **Gros débris** : pour aspirer les gros débris, comme des feuilles. Il est recommandé de remettre l'aspirateur au mode d'aspiration pour petits débris (réglage d'origine), après le nettoyage des gros débris.
- **Petits débris (réglage d'origine)** : pour aspirer de plus lourds et petits débris, comme le sable, le limon et les petites pierres. L'aspirateur de la piscine est vendu de l'usine dans ce mode.

⚠ AVERTISSEMENT

Pour prévenir toute blessure grave, assurez-vous que l'aspirateur est débranché du boyau et que la pompe d'aspiration utilisée pour l'aspirateur est désactivée avant de commencer cette opération.

Passer au mode pour nettoyage de gros débris :

1. Repérez la fente sous l'aspirateur. Insérez un outil plat dans l'adaptateur d'entrée (figure 8).
2. Soulevez l'adaptateur d'entrée et retirez-le hors de l'entrée d'aspiration.

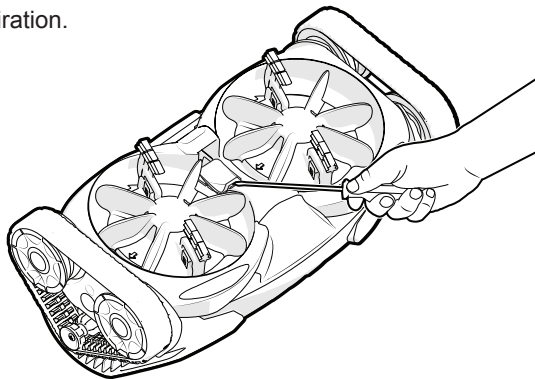


Figure 21. Retirer l'adaptateur modulaire d'entrée

Repasser au mode de nettoyage pour petits débris :

1. Placez l'adaptateur modulaire d'entrée dans l'entrée d'aspiration de l'aspirateur de la piscine.
2. Appuyez sur l'adaptateur modulaire d'entrée jusqu'à ce qu'il s'enclenche en place (figure 9).

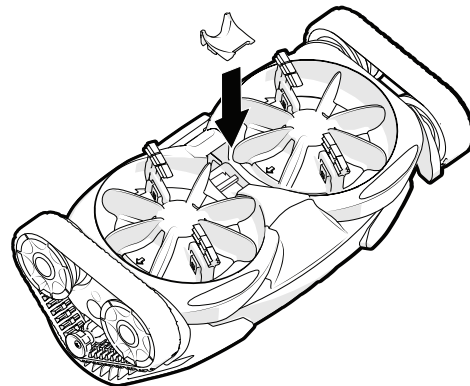


Figure 22. Replacer l'adaptateur modulaire d'entrée

Entretien courant

Pour assurer un fonctionnement adéquat et pour prolonger la durée de vie utile de votre aspirateur :

1. Vider régulièrement le préfiltre

Pour un fonctionnement optimal de l'aspirateur, videz régulièrement le préfiltre. Plus il y a de débris dans la piscine, plus le préfiltre doit être vidé.

REMARQUE : polaris propose un piège à feuilles qui maintient le débit tout en récupérant les débris, et permet de réduire la quantité de débris qui atteignent le préfiltre.

2. Retirer les débris du moteur

⚠ AVERTISSEMENT

Pour prévenir toute blessure grave, assurez-vous que l'aspirateur est débranché du boyau et que la pompe d'aspiration utilisée pour l'aspirateur est désactivée avant de commencer cette opération.

1. Pour ouvrir le couvercle, poussez le loquet du bouton de dégagement qui se trouve sur le dessus de l'aspirateur (figure 10).
2. Ouvrez le couvercle et inspectez le moteur. Retirez les débris.
3. Au besoin, sortez le moteur en le tirant par les pales. Aucun outil requis (figure 11).
4. Réinstallez le moteur. Lorsque vous réinstallez le moteur, assurez-vous qu'il est en position avec la grande roulette du côté droit (indiqué comme A).
5. Refermez le couvercle du moteur et assurez-vous que le loquet s'enclenche bien en place.

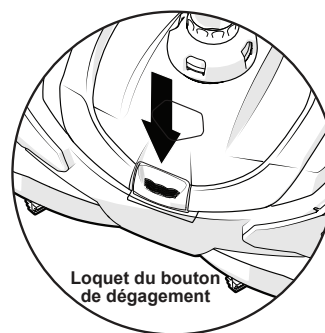


Figure 23. Loquet du bouton de dégagement

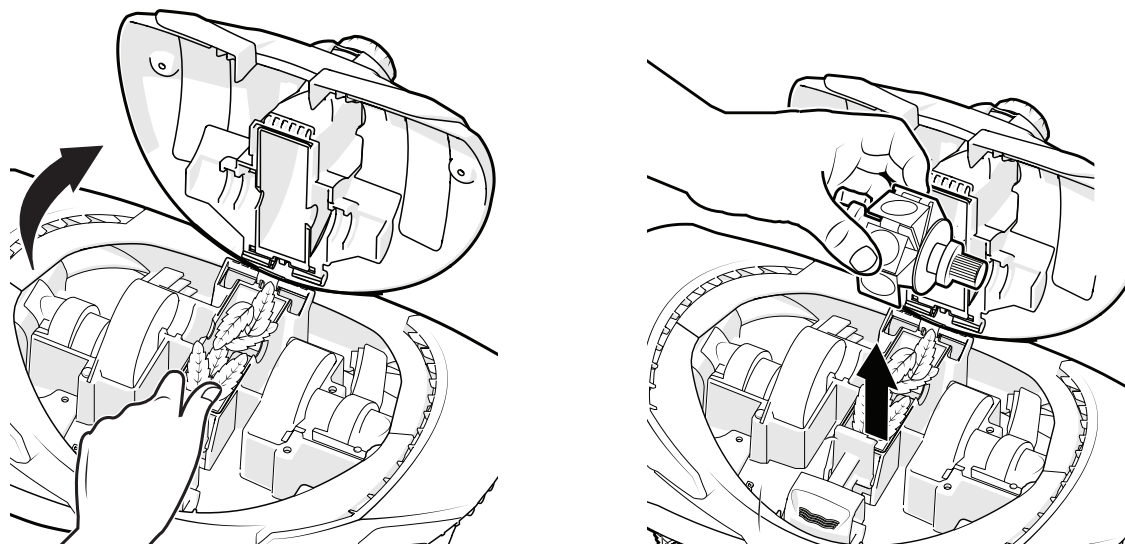


Figure 24. Retirer le moteur

3. Nettoyer ou faire un lavage à contre-courant du filtre de piscine

Veillez toujours débrancher l'aspirateur de la paroi de la piscine avant de procéder à tout nettoyage ou à un lavage à contre-courant du filtre de piscine. Après le nettoyage ou le lavage à contre-courant, laissez le système de filtration fonctionner pendant au moins cinq (5) minutes, pour purger les conduites d'aspiration avant de rebrancher l'aspirateur.

4. Ajout de produits chimiques

Lorsque vous ajoutez des produits chimiques, veuillez sortir l'aspirateur de la piscine pour au moins quatre (4) heures.

5. Remplacer les brosses régulièrement

Pour maintenir un nettoyage optimal, il est recommandé de remplacer les brosses à récuser chaque saison ou lorsqu'une usure importante est visible (figure 12). Pour enlever les brosses, pressez la pince en plastique entre deux doigts et tirez. Le type de surface de la piscine peut également augmenter le taux d'usure des brosses.

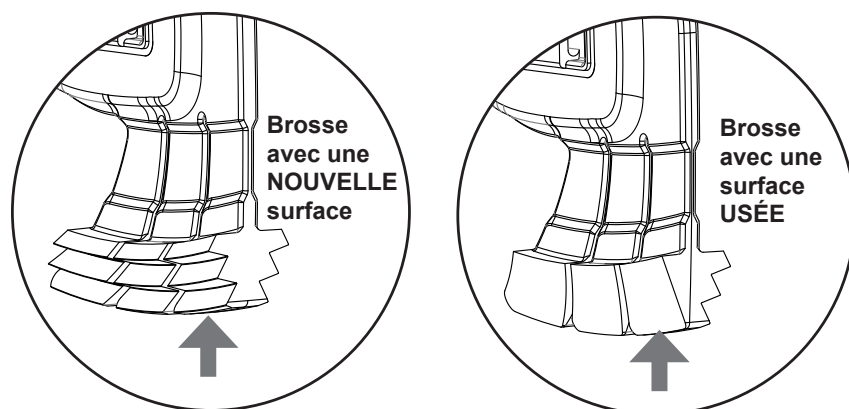


Figure 25. Inspecter la surface des brosses

6. Entreposage

Ne rangez jamais l'aspirateur à la lumière directe du soleil. N'enroulez jamais le boyau.

Le boyau peut développer une capacité de mémorisation pouvant affecter les performances de l'aspirateur. Rangez l'aspirateur sur le côté ou sur le dos, pour prévenir les dommages à la turbine (tous les modèles) et aux brosses (figure 13).

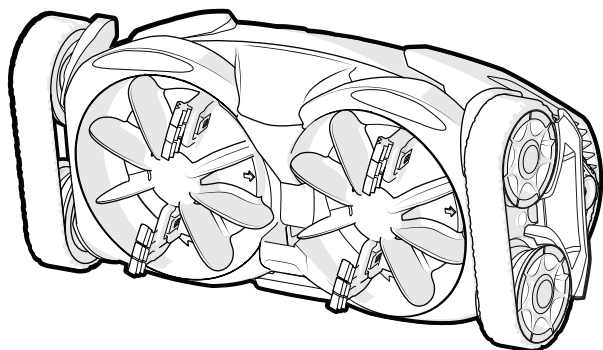


Figure 26. Ranger l'aspirateur sur le côté

7. Hivernage

Avant de ranger l'aspirateur pour l'hiver, il faut vider toute l'eau (les dommages causés par le gel ne sont pas couverts par la garantie). Retirez tous les raccords et adaptateurs de la conduite d'aspiration dédiée ou de l'écumoire. Démontez les boyaux et posez-les à plat.

Dépannage

Si vous éprouvez des problèmes avec votre aspirateur de Polaris, veuillez suivre les étapes du guide de dépannage ci-dessous pour retrouver une performance optimale. Si vous avez besoin d'aide supplémentaire, veuillez contacter le service de soutien technique au 1 800 822.7933.

Problème	Solution
L'aspirateur ne se déplace pas ou se déplace très lentement.	<ul style="list-style-type: none"> • Vérifiez que la conduite d'évacuation principale est fermée. • Vérifiez la vitesse des roulettes pour vous assurer que le débit est adéquat. Voir la section « Vérifier pour un débit adéquat ». • Vérifiez s'il y a des crans à l'intérieur des rails qui sont usés. Si tel est le cas, contactez votre dépositaire pour des rails de rechange. • Nettoyez ou lavez à contre-courant le filtre et videz le préfiltre. • Vérifiez pour la présence de débris qui obstruent le moteur. Voir la section « Retirer les débris du moteur ». • Passez au mode pour nettoyage de gros débris. Voir la section « Modes d'aspiration de l'aspirateur ». • Vérifiez pour la présence d'air dans le système. Si le niveau d'eau du préfiltre descend soudainement ou que vous apercevez une quantité excessive de bulles d'air dans le préfiltre ou en provenance des conduites de retour, cela signifie qu'il y a de l'air dans le système. Vérifiez les raccords du boyau, resserrez tous les raccords à la pompe et inspectez le joint torique du préfiltre à la recherche de signes d'usure. • Pour l'installation de l'écumoire, vérifiez la soupape Flowkeeper™ pour vous assurer qu'elle peut se déplacer librement avec le débit d'eau.
Le parcours de l'aspirateur ne couvre pas l'ensemble de la piscine.	<ul style="list-style-type: none"> • Assurez-vous que la longueur du boyau est adéquate pour votre piscine. Voir la section « Déterminer la bonne longueur du boyau de piscine ». • Vérifiez la rotation des roulettes pour vous assurer que le débit est adéquat. Voir la section « Vérifier pour un débit adéquat ». Réglez le débit, au besoin. • Assurez-vous que les raccords pour le conduit de retour sont orientés vers le bas. Ajoutez une vanne diviseuse de retour, au besoin. • Assurez-vous que le boyau n'est pas enroulé ni ne comporte de nœud. Allongez-le au soleil pour le redresser, au besoin. • Assurez-vous que le flotteur du boyau est placé à au moins 22,86 cm (9 po) de la tête de l'aspirateur sur le tuyau leader (c/g). • Observez l'aspirateur pendant plus de cinq (5) minutes et assurez-vous que chaque bande d'entraînement inverse périodiquement la direction. Si tel n'est pas le cas, contactez votre dépositaire ou le centre de service pour de l'aide.
L'aspirateur se coince sur les marches d'escalier.	<ul style="list-style-type: none"> • Observez l'aspirateur pendant plus de cinq (5) minutes et assurez-vous que chaque bande d'entraînement inverse périodiquement la direction. Si tel n'est pas le cas, contactez votre dépositaire ou le centre de service pour de l'aide. • Assurez-vous que le socle pivotant sur le dessus de l'aspirateur tourne librement. • Vérifiez la rotation des roulettes pour vous assurer que le débit est adéquat. Voir la section « Vérifier pour un débit adéquat ». Réglez le débit, au besoin. • Assurez-vous que la longueur du boyau est adéquate pour votre piscine. Voir la section « Déterminer la bonne longueur du boyau de piscine ».
L'aspirateur ne grimpe pas sur les murs.	<ul style="list-style-type: none"> • Vérifiez la rotation des roulettes pour vous assurer que le débit est adéquat. Voir la section « Vérifier pour un débit adéquat ». Réglez le débit, au besoin. • Assurez-vous que le flotteur du boyau est placé à au moins 22,86 cm (9 po) de l'aspirateur.
L'aspirateur se déplace sur le côté.	<ul style="list-style-type: none"> • Assurez-vous que le flotteur du boyau est placé à au moins 22,86 cm (9 po) de l'aspirateur.



© 2021 Zodiac Pool Systems LLC. Tous droits réservés. Polaris® et la conception de nettoyeur à 3 roues sont des marques déposées de Zodiac Pool Systems LLC. Toutes les autres marques de commerce citées dans le présent document appartiennent à leurs propriétaires respectifs.

Zodiac Pool Systems LLC

2882 Whiptail Loop # 100
Carlsbad, CA 92010
1.800.822.7933 | polarispool.com

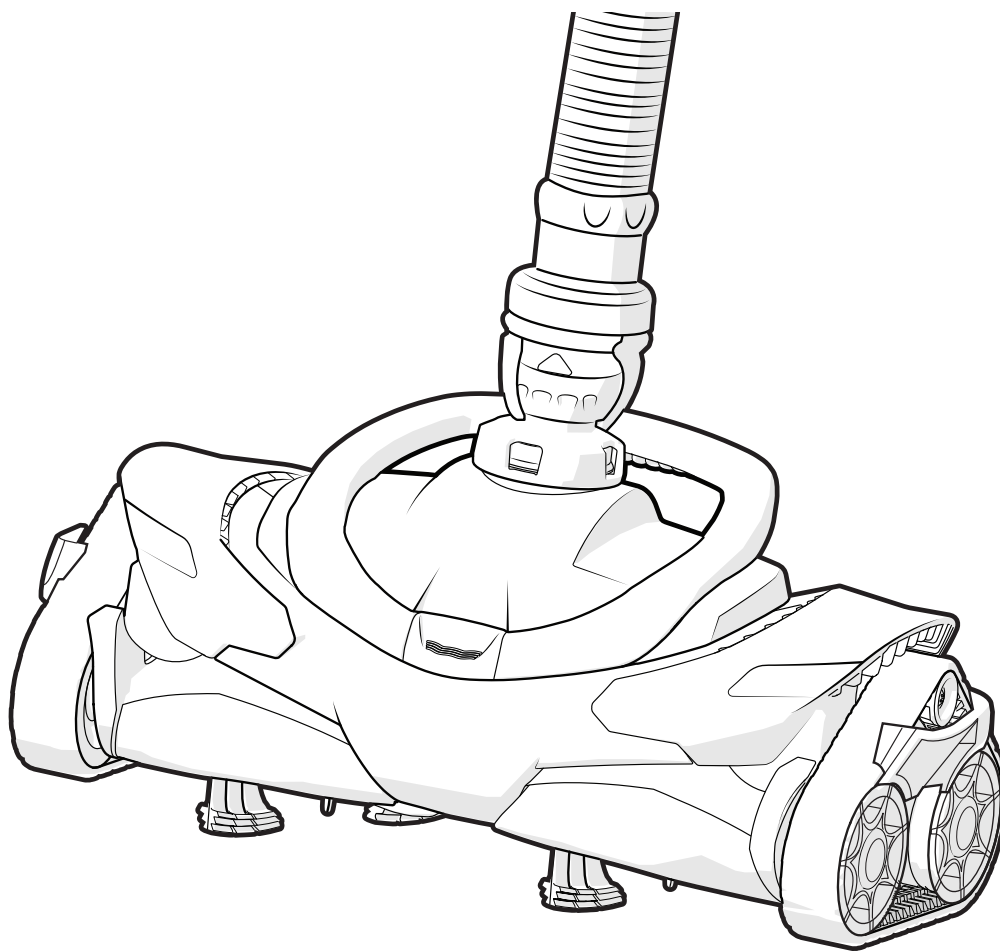
Zodiac Pool Systems Canada, Inc.

2-3365 Mainway, Burlington
ON L7M 1A6
1.800.822.7933 | ZodiacPoolSystems.ca

H0671300_REVB



MAXX



H0671300_REV B

MANUAL DEL PROPIETARIO

Español

Información importante

ADVERTENCIA

PELIGRO DE ATRAPAMIENTO POR SUCCIÓN, QUE, SI NO SE EVITA, PUEDE PROVOCAR LESIONES GRAVES O INCLUSO LA MUERTE. Asegúrese de que los acoples de succión de aspiración instalados en la piscina para la conexión del limpiador de piscinas por succión se encuentren certificados y cumplan con las normas de seguridad aplicables, como IAPMO SPS 4. No bloquee los acoples de succión con ninguna pieza ni con el cuerpo. No exponga el cabello, las vestimentas sueltas, las alhajas, etc. a ningún acople de salida de succión de la piscina o del hidromasaje.



Lea completamente el manual del propietario antes de operar el limpiador.



Retire el limpiador antes de ingresar a la piscina.



No lo opere fuera de la piscina.



No deje que los niños jueguen con el limpiador.



Aleje las manos de las piezas móviles.

Aviso para piscinas con revestimiento de vinilo: Antes de instalar su limpiador, examine el interior de la piscina con atención. Si el revestimiento de vinilo presenta grietas u ondulaciones, arrugas, desgaste o corrosión de metal en contacto con la parte inferior del revestimiento, o si el material base o las paredes se encuentran dañados, no instale el limpiador antes de que un profesional calificado lleve a cabo las reparaciones pertinentes o reemplace el revestimiento. **Zodiac Pool Systems LLC. (Zodiac) y sus filiales y subsidiarias no se responsabilizarán por daños en el revestimiento causados por un limpiador que se encuentre en mal estado, la remoción de la trama de un revestimiento de vinilo o un limpiador que se use en una piscina con un revestimiento antiguo o deteriorado.** Consulte la garantía limitada.

- Para ayudar a evitar accidentes debido al atrapamiento por succión, los acoples de aspiración de la pared deben tener un bloqueo de aspiración instalado. Comuníquese con el constructor o el profesional de piscinas para obtener detalles.
- Limpie la canasta del filtro superficial, la canasta de la bomba y el filtro de la piscina antes de instalar el limpiador. Repita la limpieza con regularidad posteriormente.
- Desconecte siempre el limpiador de la pared o del filtro superficial de la piscina antes de limpiar o retrolavar el filtro de la piscina. Después de limpiar o retrolavar, deje en funcionamiento el sistema de filtrado durante al menos cinco (5) minutos antes de volver a conectar el limpiador.
- Retire el limpiador de la piscina antes de realizar tratamientos de choque o con productos químicos. Espere al menos cuatro (4) horas después de la supercloración y antes de volver a instalar el limpiador.

Para asegurar un servicio de garantía rápido, en caso de que sea necesario:

- Complete y devuelva la tarjeta de garantía de Zodiac.
- Tome nota de la información de compra.
- Adjunte una copia de la factura de compra a este documento.

Fecha de compra: _____ Comprado a: _____

Número de serie (ubicado debajo de la cubierta) _____

Si necesita servicio de mantenimiento, presente el manual del propietario con la factura adjunta en cualquier centro de garantía autorizado de Polaris.



Lea completamente el manual del propietario antes de comenzar la instalación.

Instalación

PASO 1. Preparación de la piscina

1. aspire de forma manual la piscina y asegúrese de que el filtro de la piscina y la canasta de la bomba estén limpios.
2. Apague la bomba del filtro de la piscina.
3. Cierre la línea de drenaje principal de la piscina.
4. Coloque los acoples de la línea de retorno hacia abajo.

⚠ ADVERTENCIA

PELIGRO DE ATRAPAMIENTO POR SUCCIÓN QUE, SI NO SE EVITA, PUEDE PROVOCAR LESIONES GRAVES O LA MUERTE. Asegúrese de que los acoples de succión de aspiración instalados en la piscina para la conexión del limpiador de piscinas por succión se encuentren certificados y cumplan con las normas de seguridad aplicables, como IAPMO SPS 4. No bloquee los acoples de succión con ninguna pieza ni con el cuerpo. No exponga el cabello, vestimenta suelta, alhajas, entre otros, a ningún acople de salida de succión o extremos de manguera en la piscina o el hidromasaje.

PASO 2. Ensamble las secciones de la manguera

Empuje y gire el conector en cada sección de la manguera (g) hasta que queden bloqueados en su posición haciendo clic (figura 1). Las boquillas de la manguera tienen tres (3) posiciones de conexión. En cualquiera de las tres (3) posiciones el sello es hermético para el aire.

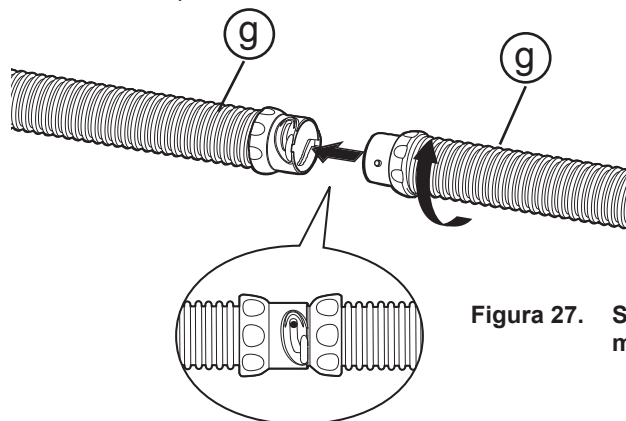


Figura 27. Secciones de la manguera

PASO 3. Para realizar la conexión a una línea de succión exclusiva

1. Gire hasta bloquear el extremo macho de la manguera (g) en el extremo grande del codo extendido de 45°(d).
2. Conecte el codo al acople de pared de aspiración de seguridad instalado (se vende por separado).
3. Ajuste el ángulo del codo hacia la superficie del agua (figura 2).

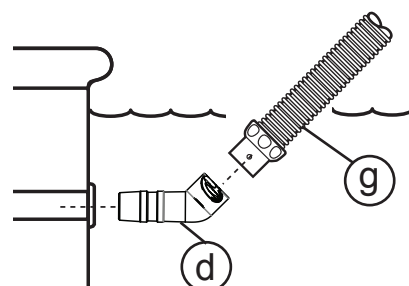


Figura 28. Conexión de la línea de succión exclusiva

O BIEN**Conectar a un filtro superficial**

La válvula FlowKeeper™ debe utilizarse siempre en instalaciones con un solo filtro superficial. La válvula regula el caudal para garantizar que la bomba de la piscina y el limpiador funcionen correctamente.

Si la piscina tiene más de un filtro superficial, conecte la manguera al filtro superficial que se encuentre más cerca de la bomba.

Las piezas que se utilizan para conectar la manguera y la secuencia en que se instalan dependen del tipo de filtro superficial (Figura 3).

1. Retire la canasta del filtro superficial.
2. Conecte la boquilla de la válvula (h), la válvula FlowKeeper (b) y el codo de 45 grados (f) juntos. Inserte la válvula FlowKeeper (b) en el codo de 45 grados con la flecha apuntando hacia abajo.
3. Empuje el extremo macho de la manguera que traba con giro (g) al extremo del codo de 45 grados (f).
4. Inserte el ensamble en el puerto de succión del filtro superficial.

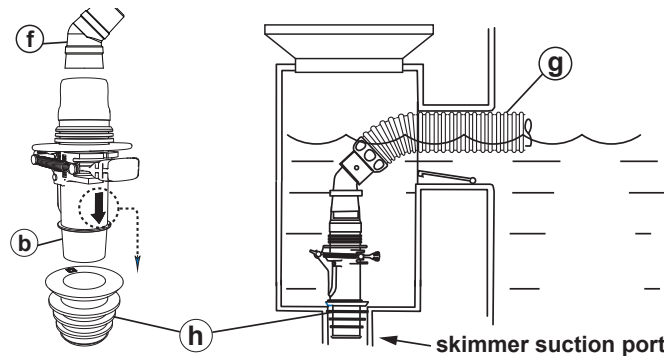
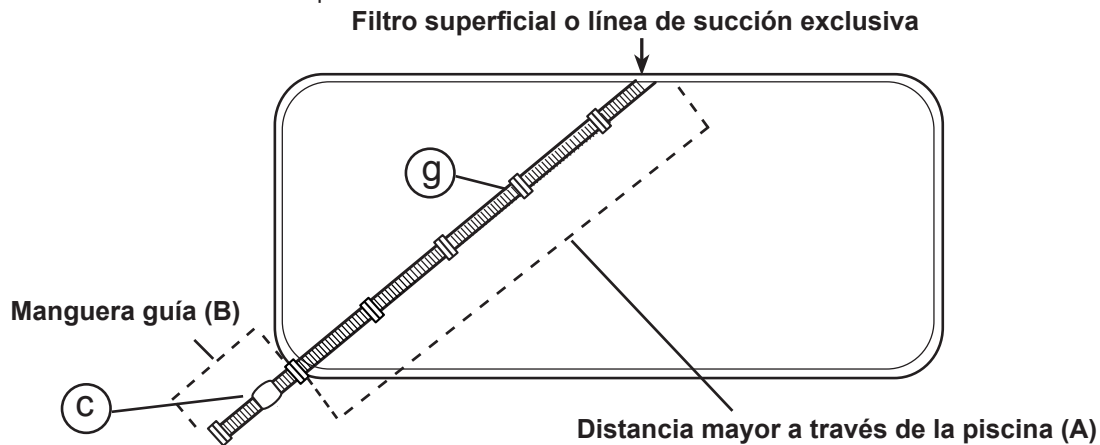


Figura 29. Conexión del filtro superficial

PASO 4. Determine la longitud correcta de la manguera para su piscina

1. Calcule una longitud suficiente de manguera para alcanzar el punto más distante de la piscina desde el filtro superficial o la línea de succión exclusiva. Retire toda sección de manguera adicional, según fuera necesario. Consulte (A) en la figura 4 a continuación.
2. Después, una la manguera guía (c) al extremo en el que se conectará la cabeza del limpiador. Consulte (B) en la figura 4 a continuación. La longitud adicional permite que el limpiador alcance el punto lejano en la piscina si se forma un bucle durante la operación.



Longitud total necesaria de la manguera = (A) Distancia máxima a través de la piscina + (B) Manguera guía

Figura 30. Determine la longitud correcta de la manguera

PASO 5. Conexión del limpiador

1. Verifique que la válvula reguladora de caudal (VRC) (e) está conectada a la manguera guía (c). La manguera guía es la sección de la manguera que tiene adjunto el flotante de gomaespuma. (Figura 5).
2. Sumerja la manguera e inúndela de agua (sin burbujas visibles).
3. Sumerja el limpiador e inúndelo de agua (sin burbujas visibles).
4. Conecte la manguera a la cabeza del limpiador empujando la válvula reguladora de caudal sobre el limpiador.
5. Deje que el limpiador vaya hasta el fondo de la piscina.

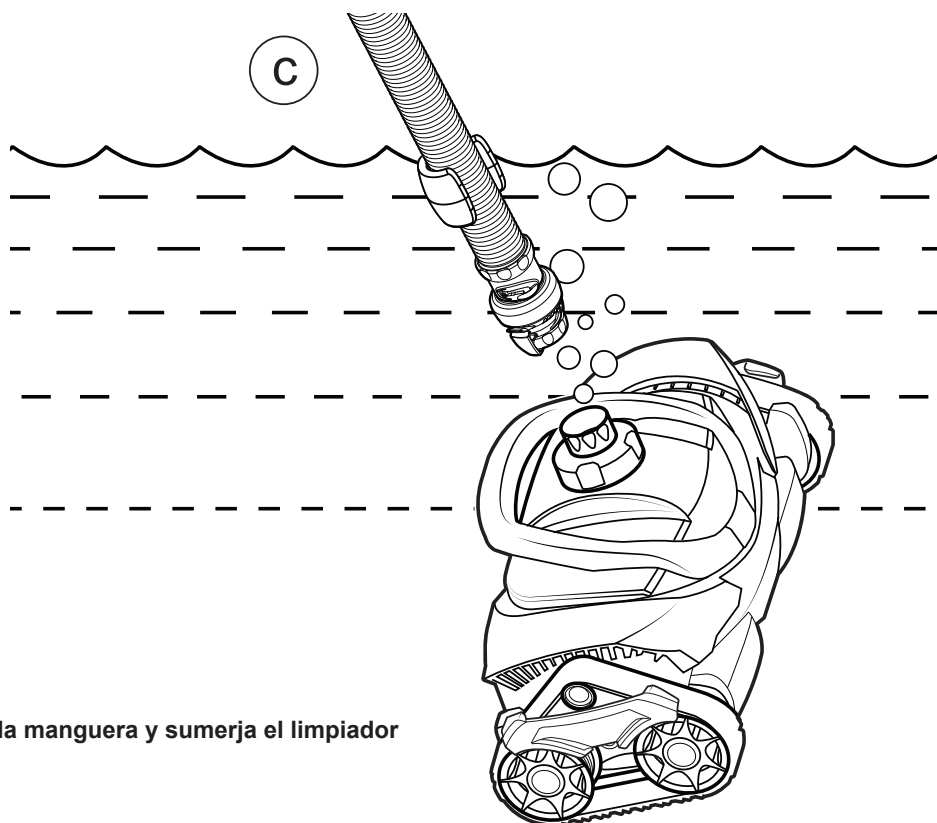


Figura 31. Conecte la manguera y sumerja el limpiador

PASO 6. Controle que el caudal sea el adecuado

⚠ ADVERTENCIA

Para evitar lesiones graves, asegúrese de apagar la bomba de succión responsable de la operación del limpiador de piscina. No exponga su cabello, la vestimenta suelta, las alhajas, etc. al extremo abierto de la manguera.

La válvula reguladora de caudal está diseñada para limitar constantemente altos caudales de agua a través del limpiador. Cuando el caudal es el correcto, los componentes del limpiador están menos expuestos al daño y la vida útil del limpiador se puede prolongar. La velocidad de giro de la rueda es un buen indicador de la cantidad de caudal que fluye por el limpiador. Si controla que la velocidad de giro de la rueda es la adecuada, puede verificar que el limpiador esté funcionando de la manera más eficiente.

Giros de la rueda por tiempo

1. Encienda la bomba del filtro de la piscina.
2. Consiga un cronómetro o temporizador.
3. Con la bomba encendida y el agua fluyendo por el limpiador, lleve el limpiador hacia la superficie del agua y sosténgalo completamente sumergido justo debajo de la línea del agua.
4. Ubique el indicador de velocidad de la rueda en la rueda derecha trasera (figura 6).
5. Observe cuántos segundos tarda en completar 10 giros. Si las ruedas cambian de dirección durante la cuenta de giros, espere y vuelva a iniciar la cuenta.

Si la cuenta da entre 20 y 25 segundos, no es necesario realizar ajustes.

• 20 - 25 segundos --- Caudal óptimo

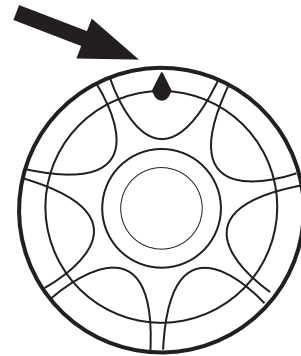


Figura 32. Indicador de velocidad de la rueda

PASO 7. Ajuste el caudal al limpiador (si fuera necesario)

1. Ajuste el caudal si no se encontrara dentro del rango óptimo de velocidad de la rueda.
Si la cuenta da:
 - **26 - 50 segundos --- Aumente el caudal (+)** --- el limpiador se mueve demasiado lento y necesita más caudal
 - **10 - 19 segundos --- Disminuya el caudal (-)** --- el limpiador se mueve demasiado rápido y se puede dañar
2. Para aumentar o disminuir el caudal, ajústelo mediante uno de los siguientes métodos:
 - Válvulas en el soporte del equipo para una línea de succión exclusiva.
 - Válvula Flowkeeper en el filtro superficial en instalaciones con filtro superficial (figura 7).
 - Velocidad de la bomba (solo para bombas de velocidad variable).

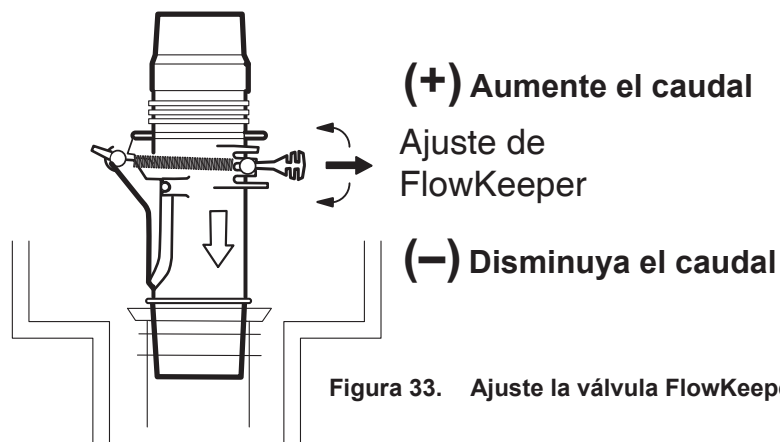


Figura 33. Ajuste la válvula FlowKeeper™

Operación y mantenimiento

Operación diaria

Los ciclos del limpiador comienzan y terminan con la bomba de filtrado de la piscina y se aspiran y limpian todas las superficies de forma aleatoria por toda la piscina. La capacidad para trepar del limpiador depende de la forma que tenga la piscina y del caudal de agua disponible. Si el limpiador no trepa por las paredes, verifique que el caudal sea el correcto mediante el control de la velocidad de la rueda. También verifique que la superficie de la piscina no esté cubierta de algas, ya que esta superficie resbaladiza afecta la tracción.

Durante cada ciclo del patrón de cobertura, el limpiador viaja hacia adelante y hacia atrás y pivota de derecha a izquierda. Las turbinas debajo del limpiador crean fuerza descendente para trepar y mantenerse estable y para llevar los desechos hacia la boca del limpiador. Los cepillos limpiadores también hacen contacto con el piso de la piscina para agitar y eliminar pequeños desechos pegados.

Modos de aspiración del limpiador

El limpiador está diseñado para operar en dos modos de aspiración:

- **Desechos grandes:** Para aspirar desechos grandes como hojas. Se recomienda volver el limpiador a la configuración de fábrica de desechos pequeños luego de realizar la limpieza de desechos grandes.
- **Desechos pequeños (configuración de fábrica):** Para aspirar desechos más pequeños y pesados, como arena, gravilla y pequeñas piedras. El limpiador de piscina sale de fábrica en este modo.

⚠ ADVERTENCIA

Para evitar daños graves, verifique que el limpiador esté desconectado de la manguera y que la bomba de succión que se utiliza para el limpiador esté apagada antes de comenzar esta operación.

Cambiar al modo de limpieza de desechos grandes:

1. Ubique la ranura en la parte inferior del limpiador. Inserte una herramienta plana en el adaptador de entrada (figura 8).
2. Levante el adaptador de entrada y, a continuación, tire para extraerlo de la entrada de aspiración.

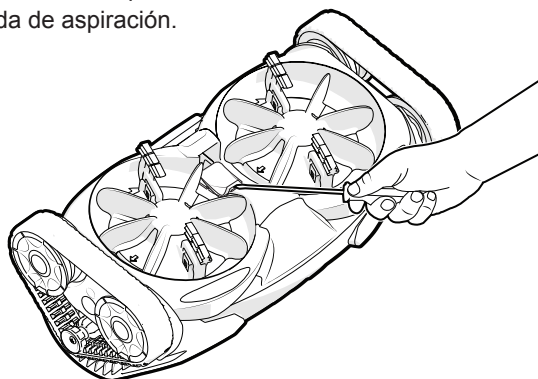


Figura 34. Retire el adaptador de entrada modular

Volver al modo de limpieza de desechos pequeños:

1. Coloque el adaptador de entrada modular en la entrada de la aspiradora del limpiador de piscina.
2. Presione el adaptador de entrada modular hasta que quede en su lugar con un clic (figura 9).

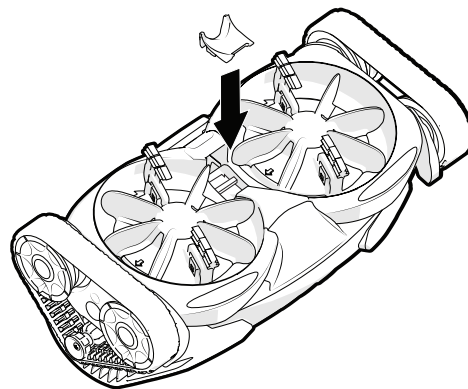


Figura 35. Vuelva a colocar el adaptador de entrada modular

Mantenimiento de rutina

Para asegurar el funcionamiento correcto y una vida útil prolongada de su limpiador:

1. Vacíe la canasta de la bomba regularmente

Para que el limpiador opere con la mayor eficiencia, vacíe la canasta de la bomba regularmente. Cuanto mayor sea la cantidad de desechos en la piscina, mayor deberá ser la frecuencia de limpieza de la canasta de la bomba.

NOTA: Polaris ofrece un filtro de hojas incorporado que mantiene el caudal mientras atrapa los desechos y reduce la cantidad de desechos que llegan a la canasta del filtro de la bomba.

2. Elimine los desechos del motor

⚠ ADVERTENCIA

Para evitar daños graves, verifique que el limpiador esté desconectado de la manguera y que la bomba de succión que se utiliza para el limpiador esté apagada antes de comenzar esta operación.

1. Presione el botón para liberar el pestillo en la parte superior del limpiador (figura 10) y abra la cubierta.
2. Abra la tapa e inspeccione el motor. Elimine todos los desechos.
3. Si fuera necesario, tire de las paletas del motor y retírelo. No se necesitan herramientas (figura 11).
4. Vuelva a instalar el motor. Cuando lo reinstale, verifique que el motor esté colocado con la rueda grande hacia la derecha (con la marca A).
5. Cierre la cubierta del motor y verifique que el pestillo cierra con un clic.

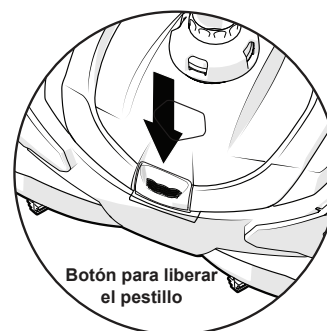


Figura 36. Botón para liberar el pestillo

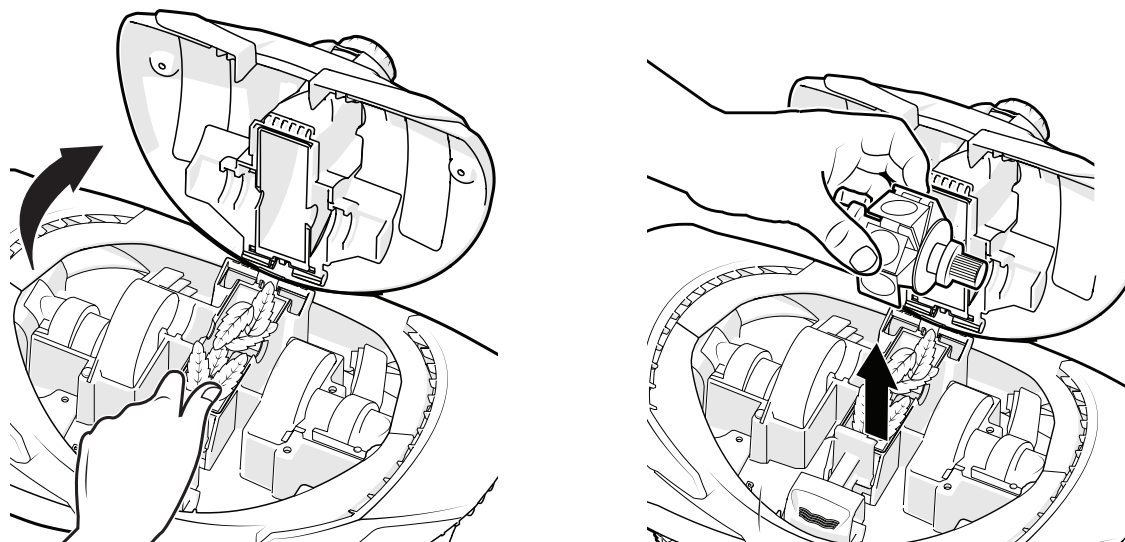


Figura 37. Retire el motor

3. Limpie o retrolave el filtro de la piscina

Desconecte siempre el limpiador de la pared de la piscina antes de limpiar o retrolavar el filtro de la piscina. Después de limpiar o retrolavar, deje correr al menos cinco (5) minutos el sistema de filtrado para purgar las líneas de succión antes de reconectar el limpiador.

4. Agregado de productos químicos

Retire el limpiador de la piscina durante al menos cuatro (4) horas cuando agregue productos químicos.

5. Reemplace los cepillos regularmente

Para mantener una limpieza óptima, se recomienda reemplazar los cepillos de limpieza cada temporada o cuando se observe un desgaste importante (figura 12). Para retirar los cepillos, presione el broche plástico entre dos dedos y tire. El tipo de superficie de la piscina también puede aumentar la tasa de desgaste de los cepillos.

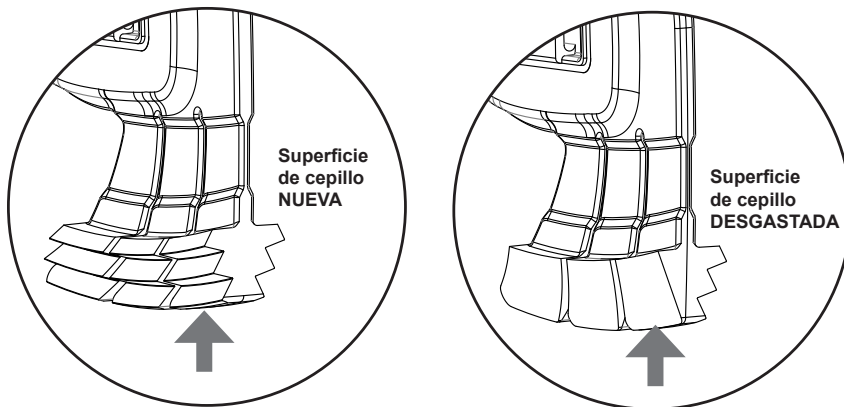


Figura 38. Inspeccione los cepillos

6. Almacenamiento

Nunca debe almacenar el limpiador bajo luz solar directa. No enrolle la manguera.

La manguera puede desarrollar una memoria que podría afectar el desempeño del limpiador. Almacene el limpiador sobre un lado o sobre la parte trasera para evitar dañar la turbina (en todos los modelos) y los cepillos (figura 13).

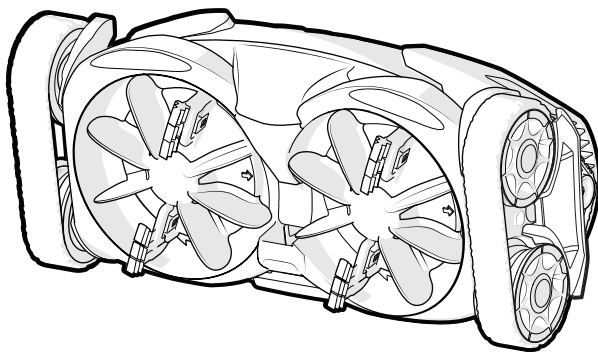


Figura 39. Almacene el limpiador sobre un lado

7. Preparación para el invierno

Antes de almacenar por el invierno, drene toda el agua (el daño por congelamiento no está incluido en la garantía). Retire todos los conectores y adaptadores de la línea de succión exclusiva o del filtro superficial. Desacople las mangueras y déjelas reposar planas.

Resolución de problemas

Si tiene un problema con el limpiador Polaris, siga los pasos de resolución de problemas que se describen a continuación para restablecer el desempeño. Si necesita más ayuda, comuníquese con el soporte técnico de Polaris al (800) 822-7933.

Problema	Solución
El limpiador no se mueve o se mueve lentamente.	<ul style="list-style-type: none"> • Confirme que el drenaje principal se encuentre cerrado. • Controle la velocidad de la rueda para verificar que el caudal es correcto. Consulte la sección "Control de caudal adecuado". • Controle que los dientes interiores de las pistas no estén desgastados. Si así fuera, comuníquese con su proveedor para conseguir pistas de repuesto. • Limpie o retrolave el filtro y vacíe la canasta de la bomba. • Controle que no haya desechos atascados en el motor. Consulte la sección "Elimine los desechos del motor". • Ponga el limpiador en el modo de limpieza de desechos grandes. Consulte la sección "Modos de aspiración del limpiador". • Compruebe que haya aire en el sistema. Si el nivel de agua en la canasta de la bomba disminuye o se ven demasiadas burbujas de aire en la canasta de la bomba o provenientes de las líneas de retorno, hay aire en el sistema. Compruebe las conexiones de la manguera, ajuste todos los acoples de la bomba y verifique si la junta tórica de la canasta de la bomba presenta desgastes. • En instalaciones con filtro superficial, controle la unidad Flowkeeper™ para verificar que se pueda mover libremente en el caudal de agua.
El limpiador no hace un recorrido completo y no cubre la piscina en su totalidad.	<ul style="list-style-type: none"> • Confirme que la longitud de la manguera sea la adecuada para su piscina. Consulte la sección "Determine la longitud correcta de la manguera". • Controle los giros de la rueda para verificar que el caudal es el adecuado. Consulte la sección "Control de caudal adecuado". Ajuste el caudal si fuera necesario. • Asegúrese de que los acoples de retorno apunten hacia abajo. Agregue un desviador de retorno, de ser necesario. • Asegúrese de que la manguera no se encuentre doblada ni enrollada. Colóquela al sol para estirla, de ser necesario. • Verifique que el flotante de la manguera está ubicado aproximadamente a 9" de la cabeza del limpiador en la manguera líder (c / g). • Observe el limpiador durante más de cinco (5) minutos y verifique que cada pista impulsora invierte la dirección periódicamente. Si esto no sucediera, comuníquese con su proveedor o con el centro de servicio para solicitar ayuda.
El limpiador se traba en los escalones.	<ul style="list-style-type: none"> • Observe el limpiador durante más de cinco (5) minutos y verifique que cada pista impulsora invierte la dirección periódicamente. Si esto no sucediera, comuníquese con su proveedor o con el centro de servicio para solicitar ayuda. • Verifique que el eslabón giratorio sobre el limpiador gira libremente. • Cuente los giros de la rueda para verificar que el caudal es el adecuado. Consulte la sección "Control de caudal adecuado". Ajuste el caudal si fuera necesario. • Confirme que la longitud de la manguera sea la adecuada para su piscina. Consulte la sección "Determine la longitud correcta de la manguera".
El limpiador no sube por las paredes.	<ul style="list-style-type: none"> • Cuente los giros de la rueda para verificar que el caudal es el adecuado. Consulte la sección "Control de caudal adecuado". Ajuste el caudal si fuera necesario. • Verifique que el flotante de la manguera esté ubicado aproximadamente a 9" del limpiador
El limpiador se ladea.	<ul style="list-style-type: none"> • Verifique que el flotante de la manguera esté ubicado aproximadamente a 9" del limpiador.



© 2021 Zodiac Pool Systems LLC. Todos los derechos reservados. Polaris® y el diseño de limpiafondos de tres ruedas son marcas registradas de Zodiac Pool Systems LLC. Las demás marcas mencionadas en esta guía son propiedad de sus respectivos propietarios.

Zodiac Pool Systems LLC
2882 Whiptail Loop # 100
Carlsbad, CA 92010
1.800.822.7933 | polarispool.com

Zodiac Pool Systems Canada, Inc.
2-3365 Mainway, Burlington
ON L7M 1A6
1.800.822.7933 | ZodiacPoolSystems.ca

H0671300_REVB